

TABLE OF CONTENTS  
VOL. 10 NO. 1

<u>TITLE</u>	<u>PAGE</u>
PRESIDENT'S LETTER.....	1
ARTICLE-OKLAHOMA SCHOOL FOR THE BLIND.....	2
LARGENT FAMILY BIBLE.....	12
LAWS OF CHEROKEE NATION 1877 ADMITTANCE FORM.....	14
DEATH OF CAPT. CALLAHAN.....	15
1912 MUSKOGEE COUNTY SCHOOL CENSUS.....	18
THE WOMAN WHO MET LINCOLN ON HER 86th BIRTHDAY MRS. MAGDELEN HAFELE.....	21
NEW MEMBERS.....	23
EARNEST EUGENE FRANKLIN ANCESTOR CHART.....	24
OBITUARY OF COUNCILMAN DICKERSON.....	26
CYNTHIA MARIE BROOKS ANCESTOR CHART.....	27
JAMES ALFORD BENSON ANCESTOR CHART.....	28
LORETTA DILLON BENSON ANCESTOR CHART.....	30
BARBARA JO DRAKE ANCESTOR CHART.....	32
ELLOUISE LILA CORBELL BENTON ANCESTOR CHART.....	33
PATRICIA LOUISE HARRIS RENTA ANCESTOR CHART.....	34
NEW TITLES.....	35
MCGS PUBLICATIONS FOR SALE.....	36

MUSKOGEE COUNTY GENEALOGICAL SOCIETY

801 WEST OKMULGEE  
MUSKOGEE, OKLAHOMA 74401

VOLUME 10 NO. 1  
JUNE 1993

OFFICERS

DEBORAH A. MOORE.....PRESIDENT  
MORRIS YOUNGBLOOD.....VICE-PRESIDENT  
MARY McLAIN DOWNING.....SECRETARY  
MICKEY HOOPER HAGAN.....TREASURER  
CLEO SHAMBLIN.....PRIOR-PRESIDENT  
DEONE DUNCAN PENQUITE.....MEMBER-AT-LARGE  
SHIRLEY SHOCKLEY GRIFFITH.....MEMBER-AT-LARGE  
FLORETTA L. LEATHERMAN.....MEMBER-AT-LARGE  
DEBRA SUE HALL SHAMBLIN.....EDITOR

MEETING: Society meetings are held on the 4th Thursday of each month at 7 p. m. in the Muskogee Public Library, 801 West Okmulgee, Muskogee, Ok..

BOOK REVIEWS: Reviews of donated books and materials will receive mention in the Quarterly and at society meetings, there-after, they will be housed in the Grant Foreman room of the Muskogee Public Library for public use.

CONTRIBUTION: Articles and contributions for the Quarterly should be sent to the above mailing address. All information concerning Muskogee County area families will be edited and published according to the editor's discretion. Contributor's name and address will be printed.

NOTICE TO NEW MEMBERS: Those who join during any month of the year after the membership month of May, will receive all Quarterlies that have been published that year.

M. C. G. S. QUARTERLY: The quarterly will be published four times a year. Queries are free to members; \$1.00 for non-members. Back issues are available at \$2.00 each, plus \$1.00 for postage.

THE MUSKOGEE COUNTY GENEALOGICAL SOCIETY AND ITS BOARD OF DIRECTORS DO NOT ASSUME RESPONSIBILITY FOR ERRORS OF FACT OR JUDGEMENT ON THE PART OF THE CONTRIBUTORS.

## LETTER FROM THE PRESIDENT

This is my first letter as your newly elected president for the year 1993. I would like to say I'll be supporting the society in anyway I can, and from the look of things this could be a busy year. We have a new board of officers, and they have already started on exciting programs and projects. But, we will need support from our members. I hope we can call on you for your help.

I had the pleasure to work with our workshop committee in April during the "Spring Workshop". Linda Pruitt was the chairperson. The workshop was very professional and all instructors helped to present an outstanding program. Fees collected from April's workshop went towards the purchase of a new microfilm reader for the library which the society will be able to use. From information given to me, the goal to purchase the m/r is within sight. Since our last report, another \$750.00 has been received. My regards to the fund raising committee.

My second opportunity to work with members occurred on May 8, 1993 at the Muskogee Phoenix Flea Market where the society operated a booth. All went well for plenty of items were collected and most of the items were sold. I wish to thank Deone Penquite, who was project chairperson. She did an outstanding job. Many thanks to all who got up early and worked the booth between 6:00 a.m. and 12:00 p.m.. Some even started before 5:00 a.m. to move boxes, etc., and to set the booth up. We collected a profitable amount. Thanks again to all who donated items and their time for this project.

Our membership is growing; however, we need to continue that growth. I am asking our members to support us and bring a new member to our monthly meetings held on the fourth thursday of the month. If each of our members brought a prospective member, we could reach 150-175 membership by the end of the year,

A fall workshop is scheduled for September 25, 1993 from 9:00 a.m. to 3:30 p.m.. The guest speaker, Russell P. Baker, C.A., Deputy Director Arkansas Historical commission, will present "Intermediate Arkansas Research Seminar". Plan to attend and bring a guest.

Your President  
DEBORAH A. MOORE

Oklahoma School for the Blind

By Phil Porter

Miss Lura A. Rowland, a graduate of the Arkansas School for the Blind, solicited funds in behalf of the blind of Indian Territory and established The International School for the Blind in 1897 at Fort Gibson, Indian Territory in a U.S. Barracks building. Her effort was rewarded as a private institution for the blind children having a history of approximately ten years. In this time lapse there were eleven terms, varying in duration from six weeks to nine months, the total enrollment was fifty students. During the first four years the school was supported solely by contributions from the people of the Indian Territory and sympathizing states. By 1900, the Choctaw and Cherokee Nations ~~made~~ made appropriations for the education of blind Choctaw and Cherokee children. Repeated efforts were made to have Congress, through the Administration of Indian Affairs, aid the school, but without success.

During the first four years Miss Rowland was assisted by a small group of instructors who gave their time voluntarily. One of those volunteers was Mr. William P. Lowrey, a prominent member of one of the first Cherokee families. On July 16, 1902, Miss Rowland and Mr. Lowrey were married. Mr. Lowrey continued, as he had for prior years without compensation, to fill the office of assistant superintendent and financial agent.

Also due <sup>the</sup> highest praise and commendation, is Dr. J. M. Howard for his faithfulness as attending physician. For ten years at all times he willingly and cheerfully donated his best services to the sick. In his report for the ten years, beginning in 1897 and ending July 31, 1907, the following gives one an idea of his esteem for the work of the Lowreys.

The general health of the pupils has been above average as compared to those living in surrounding neighborhood and town population. The pupils of the school enjoy a wholesome and sanitary environment, which only abundance of pure air, scrupulous cleanliness and nourishing, health giving diet can produce.

Taking the whole number of pupils, the average advancement in mind development is more rapid than in seeing schools, and in certain one who have extra-bright minds this advancement is remarkable. This is no doubt due to concentration. This, of course,

necessitates a certain amount of physical training in order that the body keep pace with the mind.

*C. W. Bruce was made superintendent 1907 till 1911*

In 1907, for reasons variously stated, the school was moved to Wagoner; but was relocated at the U.S. Barracks building at Fort Gibson, Indian Territory, the fall of the same year.

The first legislature of the State of Oklahoma appropriated \$5,000 to go to the Lura A. Lowrey School for the Blind. This act was approved May 29, 1908 for maintenance and provided in the same act that the school should be under the control of the State Board of Education. As a state institution the school was supported by legislative appropriations in amounts varying from twenty to thirty thousand dollars per annum and remained in temporary quarters at the U.S. Barracks, Fort Gibson, Indian Territory until June, 1913.

The State Legislative session of 1913 provided a tract of twenty-five acres of land one mile east of the city of Muskogee which was donated by ex-governor C. W. Kaskell as a permanent site for Oklahoma School for the Blind. An appropriation of \$85,000 was then made for the construction of the first buildings on this site, and the Oklahoma School for the Blind was moved into the old Spaulding College Building in Muskogee - later to become Muskogee General Hospital - as temporary quarters while the new buildings were being constructed.

In the summer of 1914 the Oklahoma School for the Blind was moved into its permanent home.

In the spring of 1911, the education of Oklahoma's blind was being carried on under severe handicaps in the old barracks building of Fort Gibson. The state was faced with the necessity of finding a satisfactory location for a state school for the blind and of building that school.

Newspapers over the state included in their routine reports announcement of the fact that a school was soon to be located, possibly in a small town, where it might be isolated and the students be safe from the dangers of a city's streets.

At this juncture, one of our large newspapers received and printed in it's columns an authoritative letter from a Methodist minister in the west side of the state, who was a graduate of the Texas School for the Blind.

We admonished the ones in authority to drop the idea of isolating the school, and urged instead, the selection of a city so that the students, whom the school might in the future prepare for competition with the busy world, could live in its midst and get used to the sound and "feel" of the life in a city.

The writer of this letter was C.W. Stewart. He was asked at once to accept the superintendency of the school and to direct the construction of better facilities. He did accept, and by the time of his death in 1925, he had brought into being what is said to be the most modern institution for the blind - the school most thoughtfully adapted to the use of the blind in America.

After untiring effort, he succeeded in permanently locating the school on its present site, and persuaded the Legislature to appropriate sufficient funds for the erection of the first four buildings. He spent a month visiting the largest and most modern schools for the blind in this country. A general plan of the future complete institution was made before the first building was erected in 1914. His tremendous efficiency kept him in the place he filled so admirably through

state administration in the state of Oklahoma. At the meeting of each state legislature, he would go before the House and Senate to plead the cause of the institution. Wholly trusting in Mr. Stewart's judgement and integrity, they granted as far as possible his requests.

Mr. Stewart wrote of the progress in the school bulletin, January 1914. On the 17th of October, 1913, the State Board of Public Affairs awarded the contract for the construction of four buildings, namely, the Main or Administration Building, a Girl's cottage or dormitory, the Power House, and a building for the Laundry. <sup>upon</sup> The tract ~~xxx~~ which the buildings are being erected contains twenty-five acres known as Anspach Hill. An electric car line running tangent to our campus makes the various city advantages easily accessible, and the distance to the business centers is not so

great but that our students can walk to and from the city. The amount available for building was entirely inadequate, and it was necessary to build on what may be called the installment plan.

This must have been a difficult time for Mr. Stewart. When one is anxious to move into a new building of any kind it sometimes seems that the delays are endless. The personnel hired to do most of the labor at the school were prisoners that were transported from McAlester. Of little solace to Mr. Stewart when he would attempt to hurry the laborers in their chores, their attitude would be: "Aw Mr. Stewart, I've got twenty years to finish this job." This reply was heard all too often.

State School Superintendent R. H. Wilson, in a talk before the Muskogee Rotary Club on July 17, 1920, included high praise for the school. "If all the schools in the state would measure up to the standards of the School for the Blind, Oklahoma would have the finest educational system in the nation. Oscar Stewart came to me one day and asked for my influence in getting him named as a member of the board of directors for the school for the blind. I told him that I wouldn't do that but that I would work for him for superintendent, if he would take the position. He said no at that time, but he came back in 30 days and said he would, and he got it. He was given full authority, without which no man can accomplish much. His word at the school is law and there has never been any disagreement worthy the name since he took charge.

One of his ambitions was to have a pipe organ, for he realized the important part in the life of the blind that music plays. In 1921, he had the satisfaction of seeing his dream come true, when one of the finest organs in the state was installed. A class in pipe organ music was organized and has become a prominent part of the music department.

After the death of Mr. Stewart in September 1925, Mrs. Stewart was appointed without opposition to the superintendency of the school and held the position continuously until 1946. She carried on the management of the institution along the lines she so well knew from close association with the school from being her husband's helper and counselor.

Probably no appointee of the state board has ever had more and stronger recommendations than Mrs. Stewart has, and every one of them came unsolicited. In addition to

endorsements from local civic bodies, the Chamber of Commerce and the Woman's Noonday Club have gone on record as urging the state board to name her. Several hundred endorsements from individuals in this and other Oklahoma cities have also been forwarded to the state board.

Mrs. Stewart's husband was partially blind. Naturally in his capacity as superintendent he was a close student of affairs affecting those whose vision had been impaired. He was constantly absorbing information about subjects of interest to blind persons. His impaired sight made it necessary for him to gain much of his information from material read to him by Mrs. Stewart. By this procedure, she became almost as intimately acquainted with the affairs of blind persons as her husband.

For 14 years ~~She~~ filled this big service for her husband whose administration as superintendent of the school covered this period. In that 14 years of time, she became as tireless a worker for the blind as her husband, and a recognized national authority in educating those whose vision has been lost or became defective.

It was also during this period that she came in close personal contact with administrative affairs, and to the associates of her husband it was an open secret that his wife had been the largest contributor to his illustrious career.

Mrs. Stewart was a native of Virginia. She was born among rural environments near Lynchburg. She was educated at Staunton. There she completed a high school course. Later she took a course at Wesleyan Female College in Staunton. She did further work at the University of Chicago.

When Janie ~~Robinson~~ Robinson's parents died, she came to Oklahoma to live with her brother, W. W. Robinson. She taught school for several years in the Gotebo area. It was during this time she met Oscar Stewart and they were married in 1906. The Stewart's had two children while they were living in Gotebo, Dr. Wilhelm Stewart and Virginia, both of whom preceded Mrs. Stewart in death. The Stewart family moved to Muskogee in 1911.



If one were to read through a school catalogue printed during the superintendency of Mrs. Stewart, one would be most favorably impressed and inspired by the excellent school program she directed for blind children in the state of Oklahoma. Mr. Travis Harris, Visual Services Director for the Department of Public Welfare has said, "During her administration the school reached its zenith scholastically."

Mrs. Stewart wrote: Fortunately but few of our citizens have a personal interest in the School for the Blind through having children here for an education. However, all citizens interested in the social and economic welfare of the State, want first to know what is being done educationally for the children of the State - not only for the normal children, but for the handicapped as well.

Handicaps of whatsoever kind are to be regarded as challenges. It is the deep concern of the staff of this school to so instruct, and to so inspire the students, that by graduation they will have accepted the challenge and will succeed in spite of their grave difficulties.

As a result of my conversations with former students and teachers who were at the school while Mrs. Stewart was superintendent, I became aware that I was writing about a most truly remarkable woman. I am sure others because of their association with her already knew what I thought I had discovered. Mr. and Mrs. Stewart are the first history of the Oklahoma School for the Blind.

It was during Mrs. Stewart's superintendency that the school had to be closed for approximately six months due to devastating damage wrought by a tornado in 1945. During the tornado every one of the twenty major buildings of the school was hit and property damage was estimated at from \$400,000 to \$700,000. There were many injured in the storm and there were three fatalities among the high school girls. The Oklahoma Legislature at once passed a bill appropriating \$500,000 for the rebuilding of the School, which reopened later that year on the same site.

In 1946 Mr. V. R. Carter, who had for many years been the seventh and eighth grade teacher at the Oklahoma School for the Blind, became its superintendent. At that time some of the school buildings and dormitories were still under construction, but under

Mr. Carter's able leadership, the school has expanded until it now accommodates approximately one hundred pupils from the first grade to high school. There are also nineteen teachers in four departments. The school, since 1914, has remained one-half mile east of Muskogee, and now includes twelve major buildings as well as a number of attendant minor structures. There is a large tree covered campus, an athletic field, pastures for the dairy herd, and a recreational Scout Camp, the total school grounds comprising one hundred and twenty-four acres. The school is entirely residential, the pupils being housed in four cottages under the care of houseparents. It's enrollment now draws from seventy-seven counties of the state.

Under Mr. Carter's directorship, changes have been brought about in keeping with more current sociological theories of education. Students of different sexes and ages are now allowed to speak to one another freely; parties and dating are permitted at a certain age, as well as more freedom of the campus. Older students can now leave the campus without chaperones and there is encouragement of participation in activities with sighted children.

Travel skills course <sup>called</sup> ~~called~~ Mobility and Orientation was established in about 1960. In this course, blind pupils are taught travel training with the use of the white cane.

The school advocates that students develop and grow in their ability to work independently. The school is most interested in each person developing his ability to use all the remaining senses to his greatest advantage. The student is encouraged from early age to develop his ability to orient himself and travel independently.

Beginning in 1966, through the use of Title I, ESEA, funds were used to establish classes for the mentally-retarded (~~educable~~ Educable) blind. Three special classrooms ~~are~~ in use on the elementary level for children who are unable to work in the regular classrooms. These children are sometimes scheduled out as they grow older for special work in music, industrial arts, agriculture, home economics, and some academic work.

A Distributive Education course was established in 1967 with the hiring of an instructor. This course is very broad and can take in almost anything of a vocational nature. The plan for the future, according to Mr. Carter, is to hire another D.E. instructor-coordinator and to expand this work considerably. This

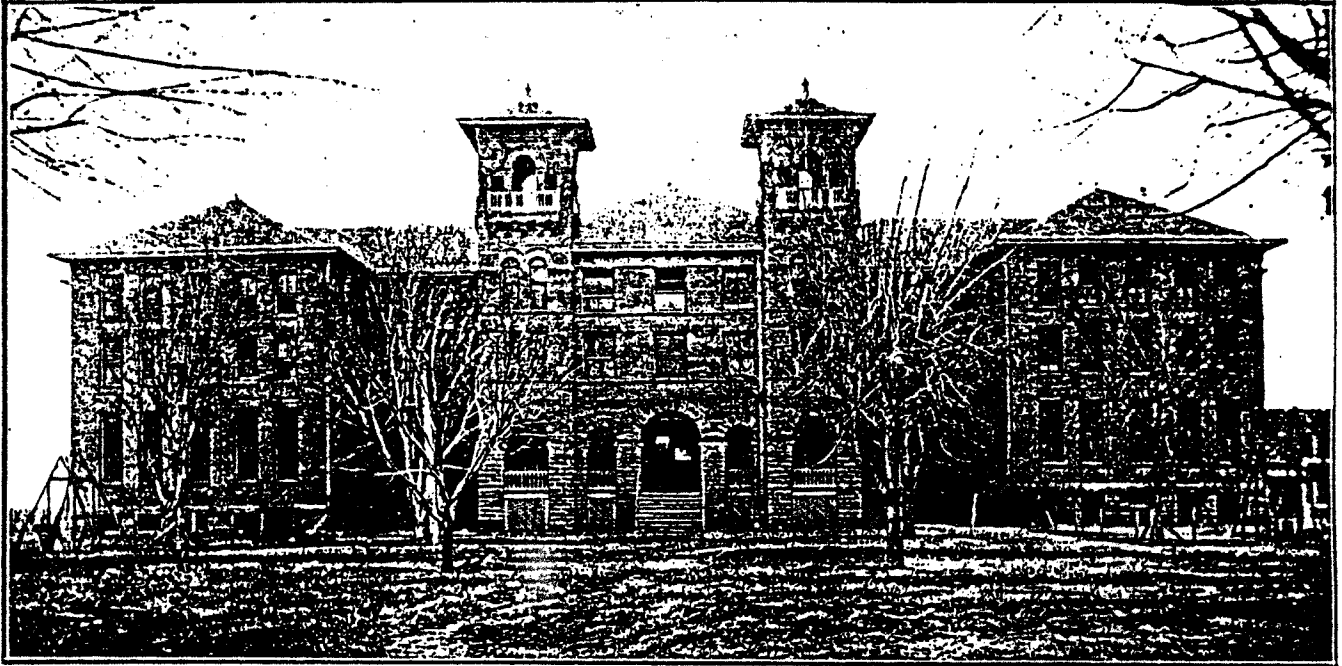
plan also hopes to offer pupils the opportunity to work more in the community of Muskogee and to gain practical work experience while continuing school work. Hopefully the students will be able to attend a district vocational school, Indian Capital Area Vocational-Technical School, that is soon to be opened.

The agricultural program of the school once consisted only of dairying was not a good vocational possibility for the blind, because milk could be purchased as cheaply as it could be produced, so the dairy was sold. In its place the school began an agricultural program in livestock and poultry care. The projects now include the raising and caring for hogs, calves and laying hens. All of these are things that can be done easily by the visually handicapped.

An attempt has been made to give the reader a picture of the struggles that have proceeded Oklahoma School for the Blind.

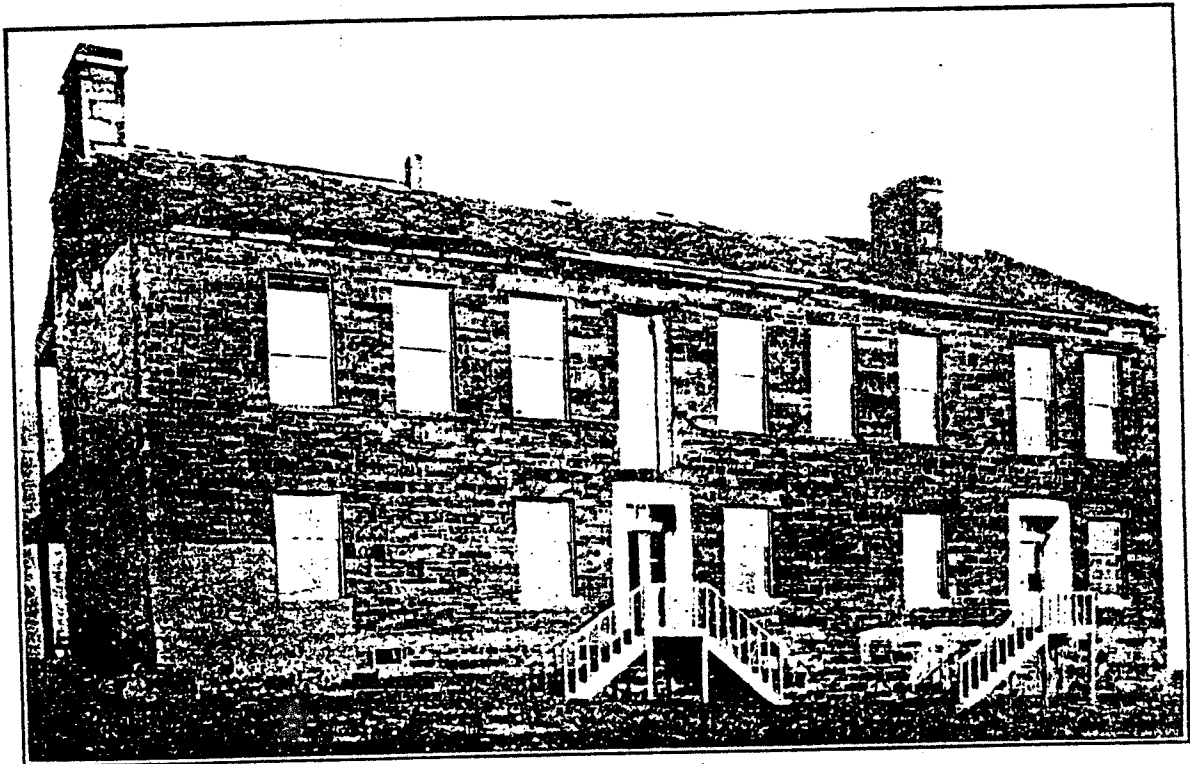
Schools for blind children on the surface appear to be just another arm of government. Many public schools around our state try to offer courses for their home students. Local students dutifully lead and guide these blind children from class to class without realizing they are really making the blind child dependent on them and when graduation takes them in their own direction the blind child is lost and dependent.

The blessing of our Oklahoma School for the Blind is blind children are taught cane-travel, an art which develops independence, and if given the chance to own a guide-dog the student maintains enough confidence to work with the guide-dog successfully. Our School for the Blind also teaches Braille, a writing technique which offers additional independence. Our School for the Blind Math Department offers the abacus for calculations as well as the talk-back calculator. Our reader has seen the outstanding quality exhibited by our superintendents. The teaching staff, nurses, houseparents, cafeteria workers/ <sup>and</sup> maintenance people must also be of a similar quality to offer the outstanding training to Oklahoma's blind and visually handicapped population. This challenge <sup>THE</sup> Oklahoma School for the Blind takes to each and every blind student.



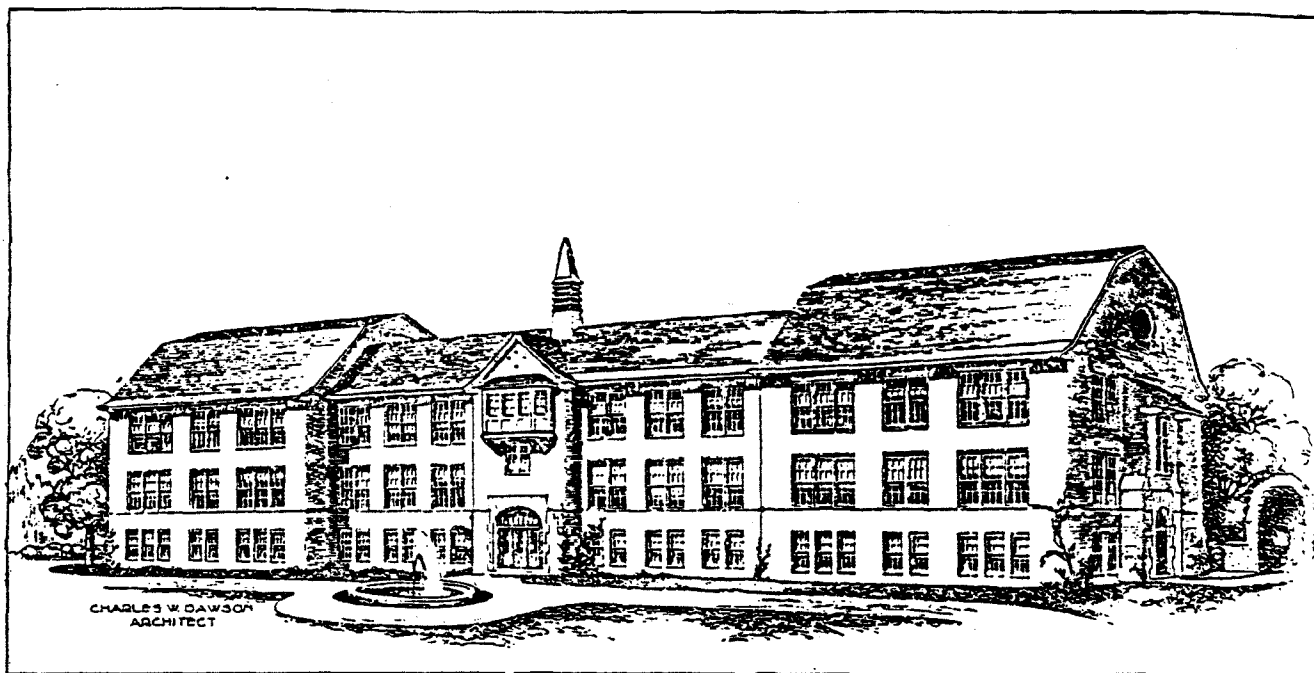
**SPAULDING COLLEGE BUILDING**

IN WHICH THE SCHOOL IS NOW BEING CONDUCTED AND FROM WHICH IT WILL REMOVE TO ITS PERMANENT HOME NOW IN COURSE OF CONSTRUCTION.



**U. S. BARRACKS, FORT GIBSON, OKLAHOMA**

THIS CUT SHOWS ONE-HALF THE SINGLE BUILDING USED BY THE SCHOOL AS A PRIVATE INSTITUTION. ONE-HALF THE BUILDING HAVING BEEN TORN DOWN. THE REMAINING HALF WAS ABANDONED FOR THREE OR MORE YEARS. IN MARCH, 1912, THE BUILDING WAS REPAIRED FOR THE USE OF THE SCHOOL AS A STATE INSTITUTION, AND IN IT ALL DEPARTMENTS OF OUR WORK WERE CONDUCTED UNTIL THE SCHOOL'S REMOVAL TO MUSKOGEE IN JUNE, 1913.



ADMINISTRATION BUILDING, OKLAHOMA SCHOOL FOR THE BLIND  
MUSKOGEE, OKLAHOMA

LETTER FROM THE EDITOR

THANKS TO ALL WHO HELP ON THE QUARTERLY. IT HAS BEEN FUN FOR ME AND I KNOW IT WILL CONTINUE TO DO SO.

THERE IS A WEALTH OF INFORMATION OUT THERE AND WE INTEND TO TAP INTO IT ALL.

I HOPE TO BRING INFORMATION OF USE TO ALL INFORMATION SEEKERS ABOUT THEIR FAMILY HISTORY.

THANKS

DEBRA SHAMBLIN

Submitted by ALISTA HARDGROVE  
 INFORMATION LOCATED IN THE BIBLE BELONGING TO JULIA ANDRUSHA (LARGENT) HARDGROVE.  
 BIBLE IS IN THE POSSESSION OF MRS. RUBY HOLLIMAN. RESIDENCE IS IN LUTHER, OK

DEATHS

Emma Ethel Sept 1901  
Wm. Alstie June 12 1914  
She was Died the 4 of Dec 1940  
Lloyd Reed January 26 9th 1946  
Ruby, Mrs Largent Nov. 8th 1951  
Stanley, O. Largent 9th of 20, 1972  
Shelley Franklin Largent Jan 16, 1974

"INTERNATIONAL" SERIES.

SELF-PRONOUNCING EDITION.

THE

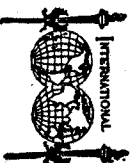
NEW TESTAMENT

OF OUR LORD AND SAVIOUR

JESUS CHRIST:

TRANSLATED OUT OF THE ORIGINAL GREEK:  
 AND WITH THE FORMER TRANSLATIONS DILIGENTLY COMPARED  
 AND REVISED.

CONTAINING ABOUT FIFTEEN THOUSAND ORIGINAL AND SELECTED  
 PARALLEL REFERENCES AND MARGINAL READINGS.



"INTERNATIONAL"  
 Printed and Bound at the "International Press"  
 Philadelphia, U.S.A.  
 THE JOHN C. WINSTON CO.

MARRIAGES

The May 1920  
 Helen Franklin Dec 1 1925  
 Maggie Bethel Tol 10 1929  
 Elsie Lee Jan 29 1929  
 Ruby Dell Nov 14 1933  
 Robert F Longant  
 Shammam Wilson Longant  
 Geo Allen Longant  
 Ford Wilson Longant  
 Glen Stanley Longant - July 5, 1947  
 Bevie Nina Longant Dec 22 1941  
 Walter Nelson Longant

CHILDREN'S NAMES

Emma Ethel Savant Brown Oct 1 1920  
 1 at Sweet's Falls, N.Y. & other  
 The May Sabant Brown Jan 27 - 1903  
 1 at Topeka, Kansas & other  
 Mrs. Albin Sabant Brown March 14 - 1905  
 1 at Topeka, Kansas & other  
 Helen Franklin Longant Brown Oct 29, 1906  
 1 at Grand, Michigan & other  
 Maggie Bethel Longant - Brown Aug 19 - 1908  
 1 at Topeka, Kansas & other  
 Elsie Lee Sabant - Brown Oct 12 - 1910  
 1 at Grand, Michigan & other  
 Sherman Wilson Sabant - Brown Oct 15 - 1911  
 1 at Grand, Michigan & other  
 Robert F. and Ruby Dell Longant - Walter 11 - 1914  
 1 at Topeka, Kansas & other  
 Geo. Allen Sabant Brown 18 - 1916  
 1 at Topeka, Kansas & other  
 Joyce Wilson Sabant - May 24 - 1918  
 1 at Topeka, Kansas & other  
 Allen Stanley Longant - May 19 1920  
 1 at Topeka, Kansas & other  
 Bevie Nina Longant - Brown Sept 15 1928  
 1 at Topeka, Kansas & other  
 Walter Nelson Longant - Brown Jan 1928  
 1 at Topeka, Kansas & other  
 Bevie Longant Brown Feb 17, 1879  
 Andrew Sabant Longant Brown Feb 18, 1884

An Act admitting certain persons therein named to citizenship.

Be it enacted by the National Council: That the following named persons be, and they are hereby admitted to Cherokee citizenship to wit:

John Coleman and family, and the children of Nancy Quimton, Sister to said John Coleman, Alice Jane Wood, Marthy E. Meadon, W. A. D. Dubegam, and Andrew Ross and children.

Enrolled to No. 7

December 5<sup>th</sup> 1877

Wm Landrum,  
President of Senate.

L. G. Wells,  
Clerk of Senate

Concurred in December 5<sup>th</sup> 1877.

Thos Thompson,  
Speaker of Council

Ans J. Lyons,  
Clerk of Council

Approved December 8<sup>th</sup> 1877.

Charles Thompson.

Principal Chief. O. M.

FROM Cherokee Vol. 270, p. 145  
INDIAN ARCHIVES DIV.  
OKLA. HISTORICAL SOC.,  
OKLA. CITY.

Submitted by  
CLISTA L. ANDERSON



\*\*\*\*\*  
 THE WEATHER.  
 \*\*\*\*\*  
 —  
 \*\*\*\*\*  
 —  
 \*\*\*\*\*  
 \*\*\*\*\*  
 \*\*\*\*\*  
 \*\*\*\*\*  
 \*\*\*\*\*  
 \*\*\*\*\*  
 \*\*\*\*\*

# CAPT. CALLAHAN DIES HERE TODAY

## Last Member of Second Confederate Congress Passed Away at Home of His Son at Ripe Old Age—Life Rich With History

Captain S. B. Callahan, one of the most noted characters in the Southwest, and famous as the last member of the second confederate congress, died today at 12 o'clock noon, at the home of his son, Dr. J. O. Callahan, at 1604 East Broadway.

Captain Callahan was over 75 years of age, and had been ill for several months. The hardships and privations of his early life, and his career in the Civil war, so undermined his constitution that he was unable to survive a slight attack of illness.

Only the attending physicians, and one or two very near members of his family, were present when death came.

The funeral will be held tomorrow afternoon at two o'clock, from the First M. E. Church, South, at the corner of F street and East Okmulgee. The pall bearers will be, N. F. Hancock, Dr. A. E. Bonnell, A. F. McGarr, Fay Todd, Dr. J. L. Blake-more, and Dr. H. C. Rogers. All old Confederate soldiers are requested to attend the services in a body.

Captain Callahan is survived by six children, three sons and three daughters. They are, Dr. J. O. Callahan, at whose home the old soldier died; Dr. K. W. Callahan, Ben; Callahan, of Morse, Okla.; Mrs. Adair, of Little Rock; Mrs. Eva Shaw, of Wagoner, and Mrs. H. B. Spaulding, of this city.

History of Capt. Callahan.  
 The last member of the second congress of the Confederacy is dead.

Vest, of Missouri, been the sole survivor of that historic body which attempted to get up an independent government of the southern states. He represented the Creek and Seminole Indian nations in that body, and has been a striking figure in the history of the Indian country since 1833 when the Creek Indians were forced from their homes in Alabama and Georgia to Indian Territory, now Oklahoma.

### Father Irish Architect.

His father an Irish architect, his mother a Creek woman, this man from infancy to his seventy-ninth year lived a life replete with dramatic incidents and historic episodes. He was three years old when with his father and mother and a large band of Indians he started from his birth-place at Eufaula, Alabama, overland to Indian Territory. His father died of privation and exposure on the way and was buried in an unknown spot. From the day tribal government was set up in the Creek nation until the treaties were made to allot the land to the individual Indians and dissolve the tribal government he was prominent in the affairs of the nation. A large holder of negro slaves prior to the Civil war, he was nevertheless opposed to slavery, but he was an ardent States Rights man and joined the confederacy immediately after war was declared. He was a member of the Creek tribal council for a number of years, was chief justice of the Indian court system, was official interpreter for the Creek nation and delegate many times to Washington to represent the nation in legislative matters, and was secretary to Checoteh and Isparheecher, two of the most famous chiefs the Creeks ever had.

The Civil war found the Creek Indians large slave owners. Consequently a large majority of them espoused the cause of the confederacy.

### Organized Creek Company.

Captain Callahan organized a company of Creek Indians and they joined General Price's army in Missouri. It was one of the companies that

*Submitted*  
 BY  
*Louise Simpson*

(Continued on page 3, column 1.)

# CAPTAIN CALLAHAN DIES HERE TODAY

(Continued from page one.)

formed Price's Indian regiment. In the battle of Pea Ridge it was claimed that Union soldiers who fell were scalped by the Indians under Price's command, but this was a base slander on the Indian troops. At this time Union soldiers were stationed at Fort Gibson, the head of navigation on the Arkansas river. Just across the river was Fort Harris, from which the Confederate soldiers guarded the Arkansas river to prevent the Union soldiers from getting farther south. It was here that the Indian troops under Callahan served the Confederacy well.

## Member Confederate Congress.

In 1862 Captain Callahan was elected a member of the Confederate congress representing the Creek and Seminole nations. He went to Richmond and remained there for nearly a year, returning only to take command of his troops again.

When Captain Callahan went to war he left his wife and two children on his ranch near Okmulgee. He was one of the wealthy men of the Indian nation. He had a good home, a big trading post store, thousands of cattle and horses and his ranch was bounded by the horizon. There were no fences and any man was entitled to all the land he chose to occupy. When he returned from war his wife and children had fled to Texas for their lives, his home and store had been burned, his cattle and horses had all been run off or killed. Nothing was left. His was the common lot of those who had joined the Confederacy. Plundering bands of guerrillas had swept down from the Kansas line and in four years crime, under the mantle of war, that reigned in Indian Territory makes the bush-whacking of the Kansas-Missouri border sink into insignificance.

## Aristocratic Family.

The Callahan family was one of the hundreds that composed the Creek aristocracy. This aristocracy was rich and influential. Negro slaves tilled their land and herded their cattle. They controlled Indian politics. They rode in carriages. Pianos and mahogany furniture were brought up the Mississippi and Arkansas rivers in boats to adorn the homes of this class. When their women bought a new dress the whole bolt of cloth was taken to make sure that no other woman secured a similar pattern. The men were rich either in gold or stock. This made their ranches and plantations magnificent plunder for the pillagers who drove off the women and killed the old men that the fighting men had left behind.

## Prey For Marauders.

Shortly after Captain Callahan left home a band of these marauders appeared. While the store was being pillaged the women fled in the darkness and hid in a cornfield nearby. The store was set fire after it had been looted and then the house was

stripped of its contents even to the bolts of silk that Mrs. Callahan had to make her own dresses from. While the plundering was going on Mrs. Callahan with her two children and a negro nurse woman, secured two horses and fled. They started south for Texas. Mrs. Callahan carried a bag of gold which she had kept hidden. It was springtime and most of the streams were swollen. There were no bridges. But the women who lived in Indian Territory in those days were not daunted by rifles. The two women swam their horses across the Canadian and Red rivers, as well as many smaller streams, and finally reached Sulphur Springs, Tex., where their friends lived. There Captain Callahan found them. It was twenty years before Mrs. Callahan could be induced to return to Indian Territory. As a reward for the faithfulness of the old negro nurse, Clara Callahan, Captain Callahan gave her a small farm near Sulphur Springs and built her a house on it. There she lived until her death two years ago.

## Green Peach War.

Captain Callahan returned to the Indian country and rebuilt his ranch. A second time he amassed a fortune and again it was swept away when blackleg became epidemic in his herds and 3,000 cattle died in a single season. In the meantime he was active in Indian politics. Sam Checotah was chief of the Creeks in 1883 and Captain Callahan was his secretary. Checotah was re-elected chief and Isparheecher claimed that he had been euchered out of the chieftaincy by a false count. War was declared by the rival chiefs and it was known as the Green Peach war. Checotah was victorious and it was the intervention of Callahan that prevented Isparheecher from being shot when he was captured. Checotah died and Isparheecher succeeded him as chief. Callahan became secretary under Isparheecher. Whenever Isparheecher went to Washington Callahan accompanied him either as a delegate to represent the Creek nation in tribal legislation, or as interpreter for his chief.

A daughter, Alice Callahan, showed a remarkable literary talent and before she died in her twentieth year she wrote a book, "Nema" the story of an Indian maiden, which had a great run for a year or so after it was placed on the market.

Captain Callahan never attended but one reunion of Confederate veterans. That was at Richmond.

# THE SHERIFF FAILS TO GET WITNESSES

(Continued from page one.)

corruption in the seventh ward at the primary election, September 15, 1910, were made by James Prettyman, a Republican negro, who was one of the witnesses.

Prettyman had first-hand knowledge of the purchase of votes by Danville city officials.

\*\*\*\*\*  
\* QUERY \*  
\* \* \*  
\*\*\*\*\*

WOULD LIKE TO  
KNOW WHERE THE  
STEPHEN JOHN  
HARRIS FAMILY  
WENT AFTER RESIDING  
IN BRIARTOWN, OK  
WITH JOSH WATSON  
AND HIS WIFE,  
VIOLA. THE WATSON  
FAMILY MOVED ON TO  
HITCHATA, OK. DID  
THE HARRIS FAMILY  
GO WITH THEM? IF  
NOT, WHERE DID THEY  
MOVE TOO?

PATRICIA H. RENTA

205 RAYMOND DRIVE

BIRMINGHAM, AL

35209

205-871-6822

# Captain Callahan Is Laid to Rest

In the presence of the immediate family of the deceased, his friends, and the old Confederate veterans, among whom he was a leader, the body of Captain S. C. Callahan, Oklahoma pioneer, and member of the second Confederate congress, was laid to rest in the Callahan lot in Green Hill cemetery, late this afternoon.

It was well past two o'clock when the funeral cortege arrived at the First M. E. church, South, at the corner of F street and East Okmulgee, where the last rites were said over the body of the veteran.

"The Lord Gave and the Lord Hath Taken Away," read Rev. Mr. Scales, pastor of the church, as the coffin bearing the body of the old soldier passed down the aisle to its temporary resting place before the pulpit.

The casket was draped in the flag of the Confederacy, the stars and bars, and was almost hidden beneath the floral offerings sent by the friends of the dead veteran, who had gathered to pay their last reverences to the man who, with a handful of followers, upheld the cause of the Confederate States of America in Eastern Oklahoma.

Conspicuous in the church during the ceremonies were the old Confederate veterans, who occupied the seats along the right of the main aisle. Nearly two scores of the old soldiers there were, bent with age and the hardships of their early lives, but braving the chilly rain to be present at the interment of their friend and comrade.

The funeral sermon was delivered by Rev. O. E. Goddard, a dear friend of the dead man and his family. He dwelt upon the life of the man who had served his country so faithfully and expressed the will of all that the old veteran had passed to his last and final reward.

From the church the procession wended its way to Green Hill cemetery, and the banner and flower-draped casket was lowered into the last sleeping place of those of the earthly kingdom.

## RED BULL CALF CASE SETTLED

The Red Bull Calf case which has been dragging along in Justice Wheeler's court for ten days was settled today so far as the civil part is concerned, and a judgment was rendered against the manager of the Parlor Meat Market for \$41, or \$20, the price of the calf and \$21 costs. Not because Mr. Powers had anything to do with the original controversy, but because the storesaid red bull calf finally found its way to his shop and was killed and sold. In addition to the judgment Mr. Powers had already paid \$12.50 for the calf when he bought it, which made that particular veal pretty expensive.

The calf was claimed by Rose Colvert. Dr. Morris and his wife also claimed it. The calf was stolen, so it is alleged, and sold to Powers who killed it. The court held that Rose Colvert was the owner of the calf and judgment was in her favor.

In addition to the judgment today there are criminal costs amounting to \$19 which will have to be paid by somebody.

Take your piano drafts to Pratt & Jones.

Attorneys for Mayor A. F. McGarr today filed a motion in district court asking that more definite charges be set forth in the contest case of T. H. Martin, former mayor of Muskogee, who seeks the seat of the present mayor.

This is the case remanded back for retrial in the district court.

Take your piano drafts to Pratt & Jones.

## BANK BILL PASSED. ROW OVER PROH.

(Continued from page one.)

the bill today by a vote of 22 to 17. No action has yet been taken on the corresponding section as adopted by the house, but it is probable that that section will be left in the bill.

PRATT & JONES have extended

### MARCUM SPECIAL JUDGE.

Because he was at one time retained in a case in which Bennie Friday, now held for embezzlement, was interested, Judge deGraffenreid disqualified today, to sit in the case, and on agreement of the attorneys Col. Marcum, the well-known attorney, was selected as trial judge.

The case called for trial today was postponed until February 23rd.

PRATT & JONES have extended their time limit on Piano drafts. Bring them to us at once.

## REMOVAL

Opening Saturday, Feb. 18

Estes' Grocery and Racket Store, formerly located at 701 So. Seventh St., have moved to 218 West Okmulgee, next door to the Boston Store, where they open Saturday, February 18th, as The Estes Mercantile, H. T. Ester, manager, with a full line of Groceries, Dry Goods and Shoes. They intend to make a specialty of their vegetable department, where fresh and crisp vegetables of all kinds will always be found.

(Published in the Muskogee Times-Democrat once each week for three weeks, February 18, 25 and March 4, 1911.)

### LEGAL NOTICE

In the Justice Court in and for Porter Township, Muskogee County, Oklahoma. Warning Order No. 2257.

T. F. Daley, Plaintiff, vs. C. F. Moore and Charles T. Madison, Defendants.

Said defendant C. F. Moore, will take notice that he has been sued in the above named Court upon an account due the plaintiff, T. F. Daley for work and labor performed for the plaintiff, and you C. F. Moore must answer the petition filed herein by said plaintiff on or before the 21st day of March, 1911, at 9 o'clock A. M., or said petition will be taken as true and judgment for said plaintiff for the amount claimed in the bill of particulars filed in this cause.

M. K. BAILEY,  
Justice of the Peace.

STEWART & STEWART,  
Attorneys for Plaintiff.

(Published in the Muskogee Times-Democrat February 15, 16, 17, 18 and 20, 1911.)

### NOTICE

Notice is hereby given that the Board of Appraisers appointed by the Mayor and Council of the City of Muskogee, Oklahoma, to appraise and apportion the benefits resulting from the grading, paving, curbing, guttering, draining

1912 SCHOOL CENSUS  
RESIDENTS OF HASKELL, OK MUSKOGEE COUNTY

1.	MONROE TOWNSEND	JOE TOWNSEND	M	OCT 02,	1905	6
2.	STELLA WRIGHT	JAMES GRAYSON	M	DEC 27,	1905	6
3.	JAMES PITTS	IDA PITTS	F	JUN 20,	1904	8
		JUNICE PITTS	M	FEB 26,	1905	7
4.	L. S. SHAW	GOLDSBERRY SHAW	M	MAY 25,	1902	10
5.	HENRY FREEMAN	HANNA FREEMAN	F	JUL 05,	1895	16
		LORINE TUCKER	F	FEB 15,	1901	11
		LEE FREEMAN	M	MAY 18,	1905	7
6.	J. G. JONES	INA JONES	M	SEP 30,	1893	18
		LULLA JONES	F	FEB 05,	1895	17
		WILLIE NEAL	F	AUG 12,	1896	15
		BERTHA JONES	F	JAN 13,	1898	14
		GERTHRUDE JONES	F	JUL 08,	1899	12
		WALTER JONES	M	JUN 02,	1902	9
7.	J. A JOHNSON	WILLIE JOHNSON	M	NOV 24,	1897	15
		SIMION JOHNSON	M	FEB 12,	1898	14
		SALDIE JOHNSON	F	NOV 01,	1900	12
8.	LEA SEALES	JOSIPHINE SEALES	F	AUG	1900	12
		LEWIS SEALES	M	AUG	1902	10
		MAUD PERRYMAN	F	AUG 31,	1906	6
		DINA MOORE	F			
9.	D CALLAWAY	ROMEA CALLAWAY	M	OCT 05,	1894	17
		McKINLEY "	M	DEC 01,	1896	15
10	ADAM DAVIS	MONROE DAVIS	M	FEB 21,	1895	17
		WILLIAM DAVIS	M	AUG 31,	1904	8
11	PHEEBE AZBURY	LENA AZBURY	F	JAN 07,	1905	6
12	BETTY GRAYSON	MICEY GRAYSON	F	APR 01,	1897	14
		STEPHEN "	M	FEB 01,	1900	11
		LENNY "	M	APR 01,	1904	8
13	FREEMAN ROWE	AGNESS PORTER	F	SEP 28,	1896	15
		SAMUEL ROWE	M	NOV 05,	1905	6
		LUTHER TURKER	M	JUN 24,	1904	7
		CLARENCE SIMMONS	M	SEP 24,	1897	14
14	CULLIE ROWE	FANNIE ROWE	F	FEB 24,	1898	13
		JEFF "	M	JAN 09,	1900	12
		ALICE "	F	DEC 27,	1901	10
		JESS "	M	FEB 12,	1904	7
		MARSHALL "	M	MAY 29,	1905	6
		RICHARD PETERS	M	JUN 17,	1905	6
15	MAT JOHNSON	AUTHUR WILLIAMS	M	AUG 12,	1897	14
		BEN CUNNIGAN	M	FEB 16,	1896	15
		VERGIE CAMEL	M	JAN 11,	1900	12
		DORA DANIEL	F	SEP 22,	1903	8
		WILLIE SMITH	M	MAY 20,	1904	7
		OFELIA BETTIES	F	APR 15,	1894	17
16	JULIA MOORE	LYDIA ROWE	F	FEB 17,	1902	9
		MARTA WILLIAMS	F	AUG 17,	1904	7

17	GRAYSON WATT	ESAW CUDJO	M	SEP 15,	1900	11
18	WESLEY VANN	MOSE VANN	M	FEB 13,	1895	16
		SUSIE VANN	F	DEC 06,	1896	15
19	TAYLOR RICHISON	ROBERTA RICHISON	F	JUN 27,	1897	14
		CORA LEE MELTON	F	MAY 24,	1905	6
20	DOCK RICHARDS	TOM RICHARDS	M	JUN 27,	1904	17
		McKINLEY "	M	JUN 27,	1904	11
		TOM ADAMS	M	APR 15,	1901	10

ADOPTED

DOCK RICHARDS SIGNATURE WAS SIGNED BY EDWARD MCKAY

J W NELSON DISTRICT CLERK #11  
 BEN C. T. TAYLOR NOTARY PUBLIC

WHITE MALES	27	COLORED MALES	32
WHITE FEMALES	26	COLORED FEMALES	22
TOTAL	53	TOTAL	54

AGGREGATE 107

DISTRICT # 11 (2)

1	J. W. NELSON	CARL NELSON	M	JUL 17,	1893	18
		HERBERT "	M	JUL 29,	1896	15
		DAVEY "	M	NOV 18,	1898	13
		NELLIE "	F	FEB 06,	1901	10
		DOLLIE "	F	NOV 24,	1905	6
2	J. A. PEEL	CHARLEY PEEL	M	JUN 26,	1902	10
3	W. KING	CORA M KING	F	APR 06,	1906	6
4	L. R. SMITH	EARY B SMITH	M	FEB 03,	1905	7
5	FERDINAND KELLY	ROLAND E KELLY	M	MAR 14,	1903	9
		ELIZABETH KELLY	M	JAN 12,	1905	7
6	VIOLA FORKNER	HAZEL NICHOLS	F	NOV 04,	1895	16
7	JOHN WELLS	LINDSAY WELLS	M	FEB 22,	1896	16
		THOMAS "	M	APR 04,	1894	14
		SHERMAN "	M	AUG 02,	1892	12
		LELIA "	F	AUG 09,	1895	17
		POLINA "	F	AUG 04,	1906	6
8	GEORGE RICHARDSON	LARRY RICHARDSON	F	JUN 30,	1904	7*
		GEORGE "	F	MAR 31,	1906	6*
9	JOHN BARNES	CARRIE BARNES	F	DEC 15,	1893	18
		BOB "	M	MAR 22,	1895	17
		BESSIE "	F	NOV 08,	1898	13
10	T. A. HAM	HAYES HAM	M	SEP 14,	1895	16
		PEARLY MAY HAM	F	JAN 06,	1904	6
11	M. A. HAM	DAVID GILMON	M	MAR 02,	1893	19
		FELIX GILMON	M	DEC 12,	1896	15
		FIWA "	F	DEC 05,	1898	13
		SCOTT W "	M	FEB 10,	1901	11
		JAMES V GILMON	M	JAN 25,	1903	9
12	NOAH WADE	EZRA WADE	M	FEB 06,	1904	8
		ESSIE "	F	JUL 21,	1902	9
13	H. W. TABOR	GERTIE TABOR	F	NOV 02,	1895	16
		ISAAC "	M	JUL 10,	1904	8
		FLOEY "	F	JUL 05,	1905	7

14	W. M. SLOAN	LILLIAM SLOAN	F	JUL 17,	1897	14
		ELLA "	F	JUL 19,	1900	11
		CLYDE "	M	MAY 05,	1903	8
15	JOHN SLOAN	TONY T SLOAN	M	JAN 08,	1901	11
		MELLY M "	F	AUG 06,	1903	9
		LORELLA F "	F	DEC 01,	1905	6
16	LIZZIE CRISWELL	JOHN McLEMORE	M	MAR 09,	1892	19
		EARNEST "	M	DEC 27,	1895	17
17	L. E. HOUSEWORTH	GLORA HOUSEWORTH	F	OCT 30,	1896	15
		LENA "	F	APR 08,	1899	12
		RAYMON "	M	JAN 06,	1903	9
18	W. E. LUSTER	WILLIS LUSTER	M	OCT 06,	1900	11
		MYRTLE "	F	SEP 02,	1905	6
19	IDA LUSTER	FLOID LUSTER	M	APR 10,	1901	10
20	ED TABER	LULA AGNES TABER	F	JUN 19,	1900	6
21	P. S. MITCHELL	ED MITCHELL	M	SEP 17,	1895	17
22	JOHN BROWN	LOYED BROWN	M	OCT 13,	1905	6
23	J. V. COX	BRUCE COX	M	JUL 03,	1893	18
24	DAN CALLAHAN	OLLIE CALLAHAN	F	APR 22,	1895	16
		GLADDIES "	F	MAY 22,	1898	13

J. W. NELSON DISTRICT CLERK # 11  
 BEN C. TAYLOR NOTARY PUBLIC

\* THIS IS EXACTLY AS IT IS WRITTEN IN THE SCHOOL CENSUS RECORD BOOK LOCATED IN THE MUSKOGEE COUNTY COURT HOUSE ON THE SECOND FLOOR IN MUSKOGEE, OKLAHOMA.

ALL OF THE SCHOOL CENSUS RECORDS ARE COPIED JUST AS THEY ARE PRINTED IN THE SCHOOL CENSUS RECORDS.

SCHOOL CENSUS RECORD FOR DISTRICT # 12 WILL BE CONTINUED IN THE NEXT QUARTERLY.

AGGREGATE FOR DISTRICT # 11 (2) WAS INCLUDED AT THE END OF THE PRIOR LIST OF DISTRICT # 11.

LIST WAS COMPOSED BY DEBRA HALL SHAMBLIN.

~~~~~

The Muskogee County Society has undertaken the project of raising money for a microfilm reader for the library. Donations received so far are from BILL BYERS, MARILYN HERRON, SHARON SELDON, KAREN WAGNER AND a GRANT from FT. HOWARD CORPORATION.

We are still accepting donations from those who wish to help with this project.

Please send to the Muskogee Public Library c/o Muskogee County Genealogical Society , 801 West Okmulgee, Muskogee,

Ok. 74401

## *Woman Who Met Lincoln to Vote For Hoover on Her 86th Birthday*



Mrs. Magdalen Hafele . . . 86 and for Hoover.

Mrs. Magdalen Hafele, above, is going to celebrate her eighty-sixth birthday by voting for President Hoover and hoping that her political party will be victorious. Mrs. Hafele was born in New York in 1846 and when she was 8 years old moved to Quincy, Ill., with her parents. In 1912 she moved to Oklahoma and for the past few years has made her home with her daughter, Mrs. T.B. Hughes, 908 West Okmulgee avenue.

She has personally met several of the presidents, having shaken hands with Abraham Lincoln at Quincy when he staged his famous debate with Douglass. She also has met President McKinley and at distances has caught glimpses of President Roosevelt and President Taft.

"People don't celebrate their election victories like they did in the old days," Mrs. Hafele said. "I remember when a party would win, its members would build a large bonfire and stage a 3 day celebration."

Muskogee Daily Phoenix, November 8, 1932, p. 1.

### OBITUARY OF MRS. MAGDALENE HAFELE

Extracted from Muskogee Daily Phoenix, December 2, 1932, p. 1.

"Aged Woman Who Heard Historic Lincoln and Douglas Debate Dies."

Mrs. Magdalene Hafele, 86, one of the few if not the last of the surviving spectators to the Abraham Lincoln- Stephen A. Douglas debate, died late yesterday at the home of her daughter, Mrs. T.B. Hughes, 908 West Okmulgee avenue, after having suffered a stroke Tuesday evening. (Continued next page.)

(Cont. Obituary - Mrs. Magdalen Hafele)

Surviving her, additional to Mrs. Hughes are another daughter, Mrs. Ada Ruth Mills of Bartlesville and three grandsons, William Hughes of Muskogee and Leonard and Edwin Mills of Bartlesville, and two brothers, Henry and William Walthers of Bushnell, Ill.

Mrs. Hafele was a loyal member of the Republican party throughout her lifetime. She was a member of the Baptist Church at Checotah, where she resided prior to her removal to Muskogee. She was a native of New York state, moved to Quincy, Ill, when she was eight years old and there attended the Lincoln-Douglass debate. She had been a resident of Muskogee for 20 years. Funeral arrangements are to be announced by Petering Funeral Home.

---

rites FOR MRS. HUGHES TO BE CONDUCTED TODAY

(Daughter of Mrs. Hafele)

Final rites for Mrs. Thomas Bishop Hughes, 70 of 111 South Ninth street will be held at 2 o'clock this afternoon in the First Presbyterian Church. Rev. Virgil Alexander will officiate.

Burial will follow in Greenhill Cemetery. The Petering Funeral Home has charge of arrangements. Pallbearers will be George W. Farris, Sam Morrison, John Andrews, Orlando Mertz, Albert Berry and Harry Beardsley.

Mrs. Hughes, a member of the Presbyterian Church, had lived in Muskogee since 1930.

Survivors include a son, William B. Hughes, Muskogee, and a sister, Mrs. Ada Mills, Bartlesville.

Muskogee Daily Phoenix, August 30, 1941, p.19

---

T. BISHOP HUGHES OBITUARY

(Husband of Mrs. Hughes)

Funeral services for T. Bishop Hughes, 80 who died Sunday at his home, 111 South Ninth street following a brief illness, will be held at 2 o'clock this afternoon at the chapel at 904 West Okmulgee avenue, Dr. W.G. Letham, pastor of the First Presbyterian Church, will officiate. Burial will be in Greenhill Cemetery. Pallbearers will be John Andrews, John McManus, Garrett Epperson, Harry Beardsley, Orlando Mertz and Sam Morrison. Hughes is survived by the widow, Mrs. May Hughes, a son, William Hughes, and a sister, Mrs. Josephine Hughes, Flemington, N.J.

Muskogee Daily Phoenix, May 9, 1939, p. 4.

---

Mrs. Hafele and Mr. and Mrs. Hughes are buried in Greenhill Cemetery, Muskogee, Oklahoma, Block 30, Lot 34.



\*\*\*\*\* NEW MEMBERS \*\*\*\*\*

MOORE, DEBORAH A., 605 SO. 30TH, MUSKOGEE, OK. 74401.

Researching: WEST, has Cherokee Indian heritage, in states Ill., Ia., Mo., 1874. SHEPHERD, also Indian, year 1887.

FRANKLIN, ERNIE, 7450 River Ridge Rd., Muskogee, Ok. 74401

Researching: FRANKLIN, Mo., Ks., 1822-Pre., O'DELL, Mo., Ok., 1830-Pre., THOMPSON, Tx., Ok., 1880-Pre..

RENTA, PATRICIA H., 205 Raymond Drive, Birmingham, Al. 35209

Researching: HARRIS, Ok., 1892-1920?, John Harris, wife Elizabeth Moore Harris, son, George B., dau., Lydia.

WOFFORD, LANETTE, 101 Windsor Dr., Muskogee OK., 74403

Researching: WOFFORD, Ok., ADAMS, Mo. Ark., BLACK, Mo., Ks., ELLIS, Tn., Tx., HAMMONS, Ok., Ar., FARRILL, Ar., BABB.

FLOOD, EVELYN M., 370 N. Jack Tone Road, Stockton, Ca., 95215-9725.

BAIR, JEANNIE, 800 N 84th St. W., Muskogee, Ok., 74401

Researching: PHILLIPS, Love, Ok., 1900, REDMAN, Love, Ok., 1900, BOSS, Love, Ok., 1900.

PRUITT, LINDA, 6110 S. Country Club, Muskogee, Ok., 74403

Researching: WICKHAM, LUCKEY, MEHARG.

PAGE, POLLY, 4220 E. 73rd St. S., Muskogee, Ok., 74401

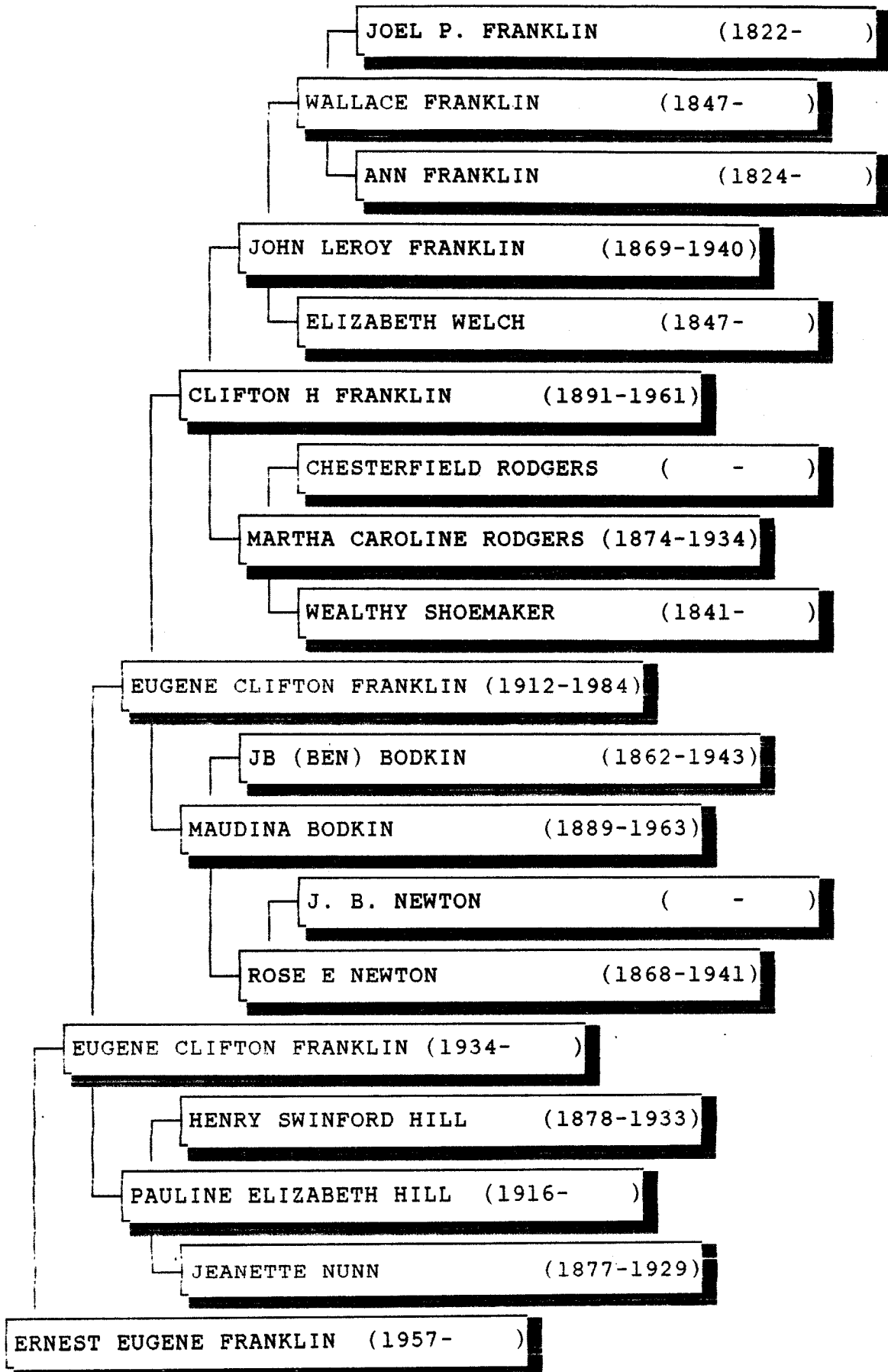
Researching: SANDERS, John H. and James Lillard, Jackson Co. Ky., 1839. TEAGUE, James David, b. Shelby, Al. 1822, JOHNSON, Thomas Vestal, Ga. 1844. CLEMONS, Hattie A.Ga. 1855. NEELY, William Henry, Mo.

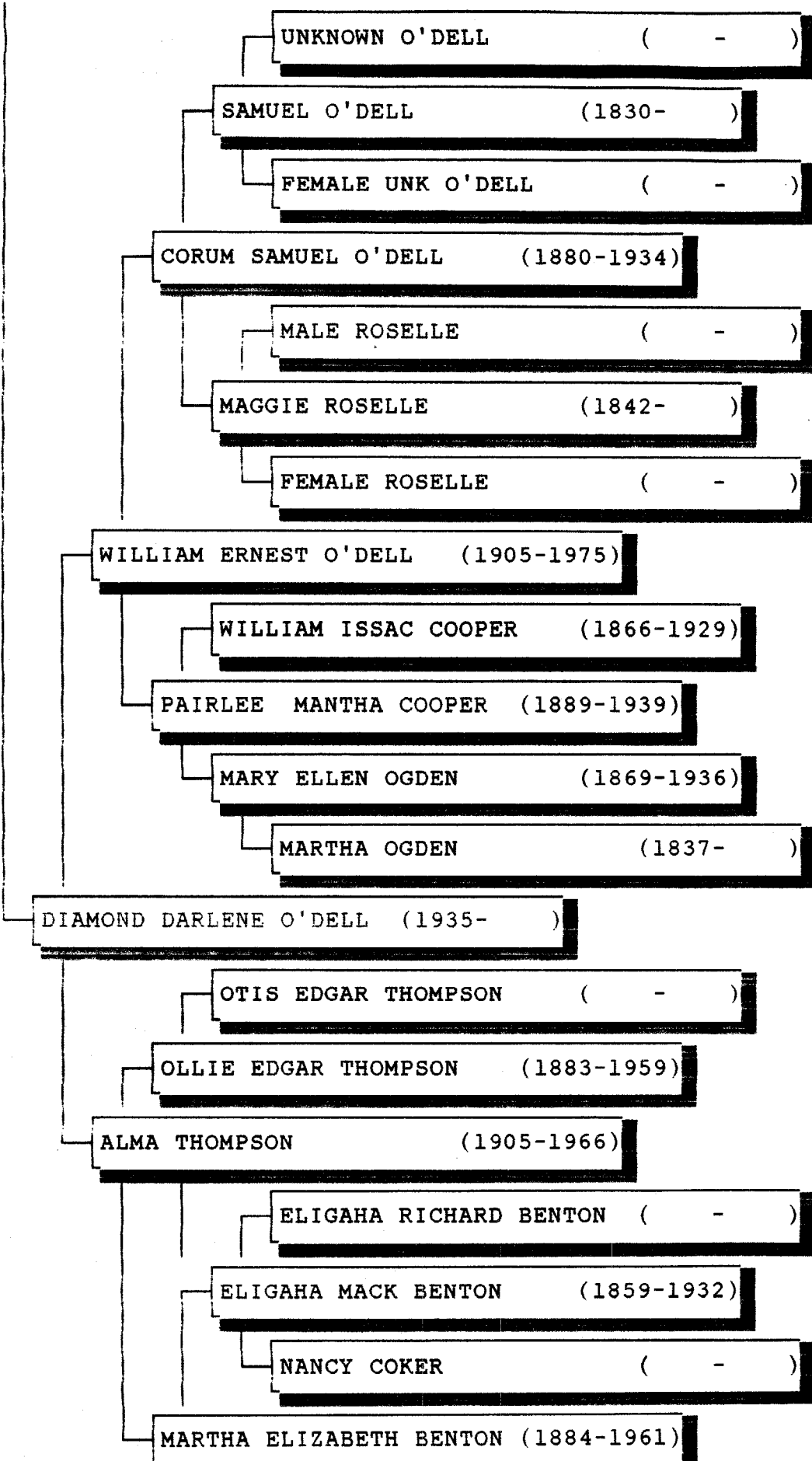
TIEMANN, JOANN, P. O. Box 1846, McAlester, Ok., 74502.

Researching: ALESHIRE, JUSTICE.

ELLIOTT, MARCIA, Route 3 Box 49-1, Ft. Gibson, Ok 74434.

Researching: BLACKARD, LINDER, BERD, HUMPHREYS, PENNEL, HARLAN, RHODES.





ELIZA JANE GLOVER

(1858-1931)

\*\*\*\*\*

QUERY

LOOKING FOR DESCENDANTS OF T. B. DICKERSON WHO WAS BORN IN INDIANA APRIL 7, 1851 AND MARRIED IN 1873 TO LOVENA ZOAK IN INDIANA. HE WAS A COUNCILMAN IN OKMULGEE, OK.. THEIR CHILDREN WERE: CORA S., WILLIAM ALONZO, CORDA O., DELLA AND ROY WHO DIED IN 1892. HIS PARENTS WERE SAMUEL AND ELIZABETH (BARNETT) DICKERSON OF JOHNSON CO., IN WILL EXCHANGE INFOMATION.

MRS KAREN (DICKERSON) HILLSON, 403 HAWTHORNE DRIVE, BELTON, MO. 64012-1921

BELOW IS A COPY OF T. B. DICKERSON'S OBIT.

*Dec. 20, 1897*  
**Councilman Dickerson Dead.**  
City Councilman T. B. Dickerson died at his home in Okmulgee, Oklahoma, at 12.45 Monday afternoon, after an illness of several weeks. The deceased was born April 7, 1851, in Indiana and has been a resident of Okmulgee for several years. He was married in 1873 to Miss Lovena Zoak and five children were the result of this union: Cora S., William Alonzo, Corda O., Della and Roy E.; all of whom are living except Roy who died in 1892.  
The deceased was a prominent Mason and a member of the M. E. church, South, from which place the funeral will take place Thursday, December 23. Services will be held at the grove by the Knights Templar lodge of this city.

At the time of his death Mr. Dickerson was alderman from the first ward in his city and had proven himself a valuable member of that legislative body. And it was largely through his efforts that the present city hall was erected. He was a tireless worker in this cause and although handicapped and opposed so strongly that less determined men would have become discouraged, the beautiful city hall stands as a monument to his work. Out of respect and as a tribute to his memory there was no meeting of the Council last night and the city hall is draped in mourning. The mayor and city officials will attend the funeral in a body.

→ OKMULGEE  
NEWSPAPER

→ UNREADABLE

ANCESTRY CHART

NO. 1 ON THIS CHART  
IS THE SAME AS NO. \_\_\_\_\_

ON CHART NO. \_\_\_\_\_

2 Wynnel Devonia Brooks  
BORN 03 Mar 1939  
WHERE Tulsa OK/Tulsa Co  
WHEN MARRIED  
DIED  
WHERE

BORN 08 Aug 1961  
WHERE Tulsa OK/Tulsa Co  
WHEN MARRIED  
DIED  
WHERE

1 Charmia Marie Brooks  
BORN 08 Aug 1961  
WHERE Tulsa OK/Tulsa Co  
WHEN MARRIED  
DIED  
WHERE

NAME OF HUSBAND OR WIFE

4 Osker Devonia Brooks  
BORN  
WHERE  
WHEN MARRIED  
DIED  
WHERE

5 Lucille Kennedy  
BORN 17 Sept 1919  
WHERE Sapulpa OK/orekco  
DIED  
WHERE

6 Henry Hutton  
BORN 12 Oct 1911  
WHERE Eufaula OK/McIntosh Co  
WHEN MARRIED 18 Oct 1941  
DIED 05 Feb 1984  
WHERE Muskogee OK/ks

7 Ozie Maxine Jackson  
BORN 26 Dec 1920  
WHERE Waponaoka OK/Johnson Co  
DIED  
WHERE

NAME  
C.M. Brooks  
POB 26/12/1920  
STREET ADDRESS OR P.O.  
Decatur Mo 30036  
CITY, STATE, ZIP CODE

8 Rufus Brooks  
BORN  
WHERE  
WHEN MARRIED  
DIED  
WHERE

9 Neotie  
BORN  
WHERE  
WHEN MARRIED  
DIED  
WHERE

10 Delacy Kennedy SR  
BORN  
WHERE  
WHEN MARRIED  
DIED  
WHERE

11 Adah H. Goffeau  
BORN  
WHERE  
WHEN MARRIED  
DIED  
WHERE

12 Jean Hutton  
BORN  
WHERE  
WHEN MARRIED  
DIED  
WHERE

13 Willie Craver  
BORN  
WHERE  
WHEN MARRIED  
DIED  
WHERE

14 Ellis John Jackson  
BORN 11 Oct 1902  
WHERE DENISON TX  
WHEN MARRIED 14 Feb 1920

15 Mary Magdalene Washington  
BORN 03 Oct 1903  
WHERE Waponaoka OK/Johnson Co  
DIED 01 Sept 1970  
WHERE Eufaula OK/McIntosh Co

16 CONTINUED ON CHART

17 CONTINUED ON CHART

18 CONTINUED ON CHART

19 CONTINUED ON CHART

20 Stanford Kennedy  
CONTINUED ON CHART

21 Kula (Louisa)  
CONTINUED ON CHART

22 Pete Gondeau  
CONTINUED ON CHART

23 Reobine  
CONTINUED ON CHART

24 Joe Hutton  
CONTINUED ON CHART

25 CONTINUED ON CHART

26 CONTINUED ON CHART

27 CONTINUED ON CHART

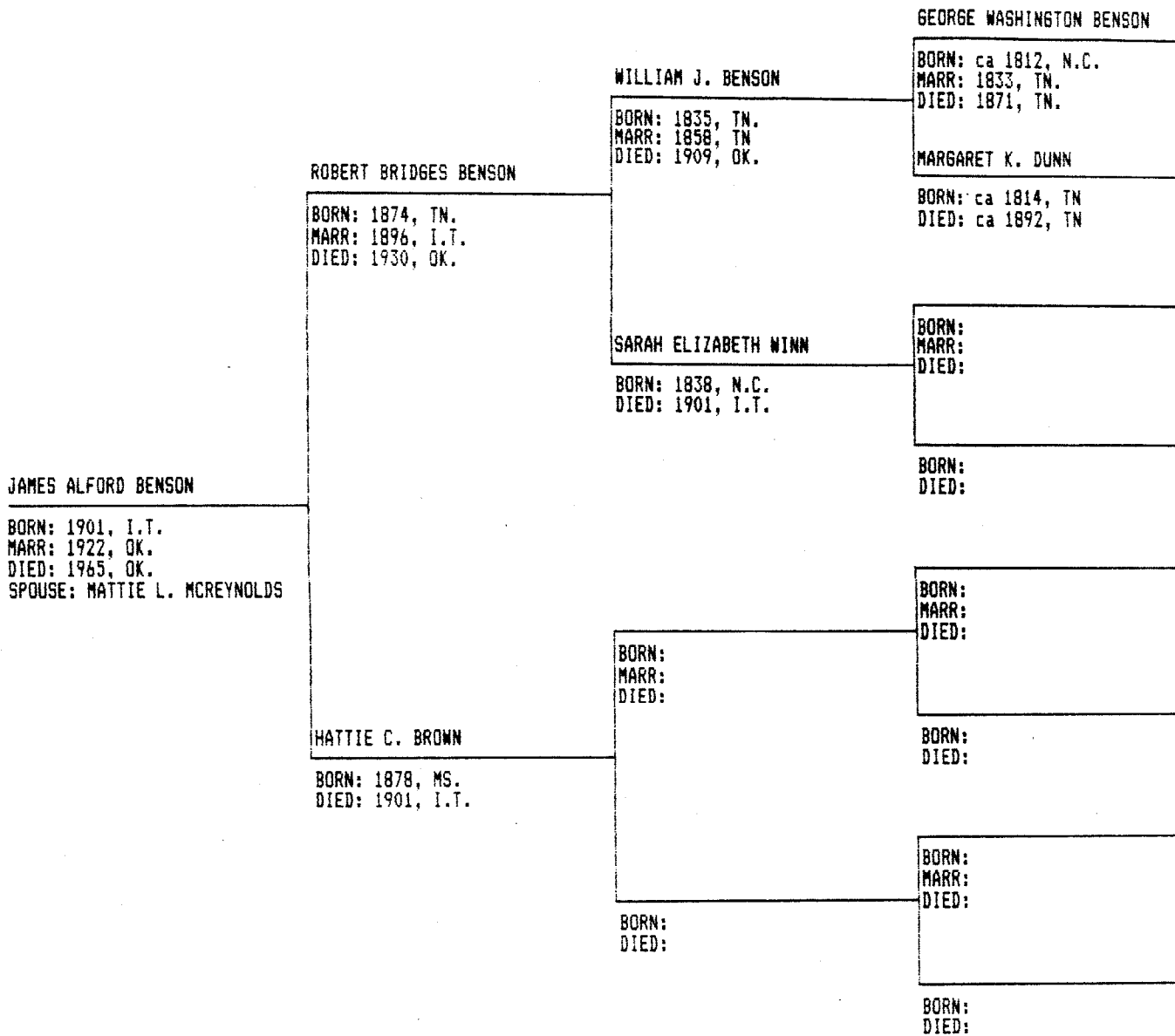
28 Albert Jackson  
b. 1881  
d. 1969  
CONTINUED ON CHART

29 Ouzel McTurkins  
CONTINUED ON CHART

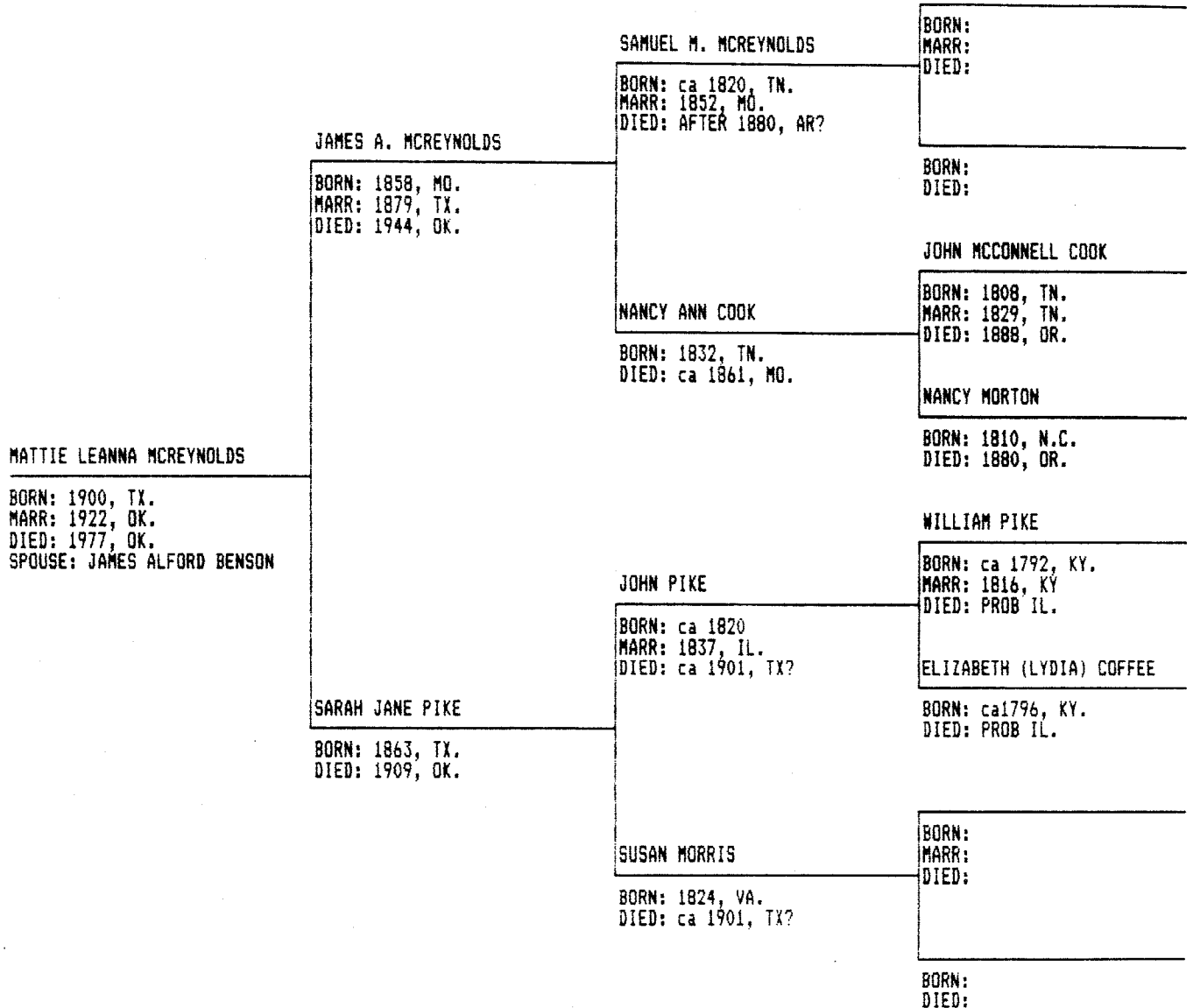
30 George Washington  
CONTINUED ON CHART

Ollie Grayson  
CONTINUED ON CHART

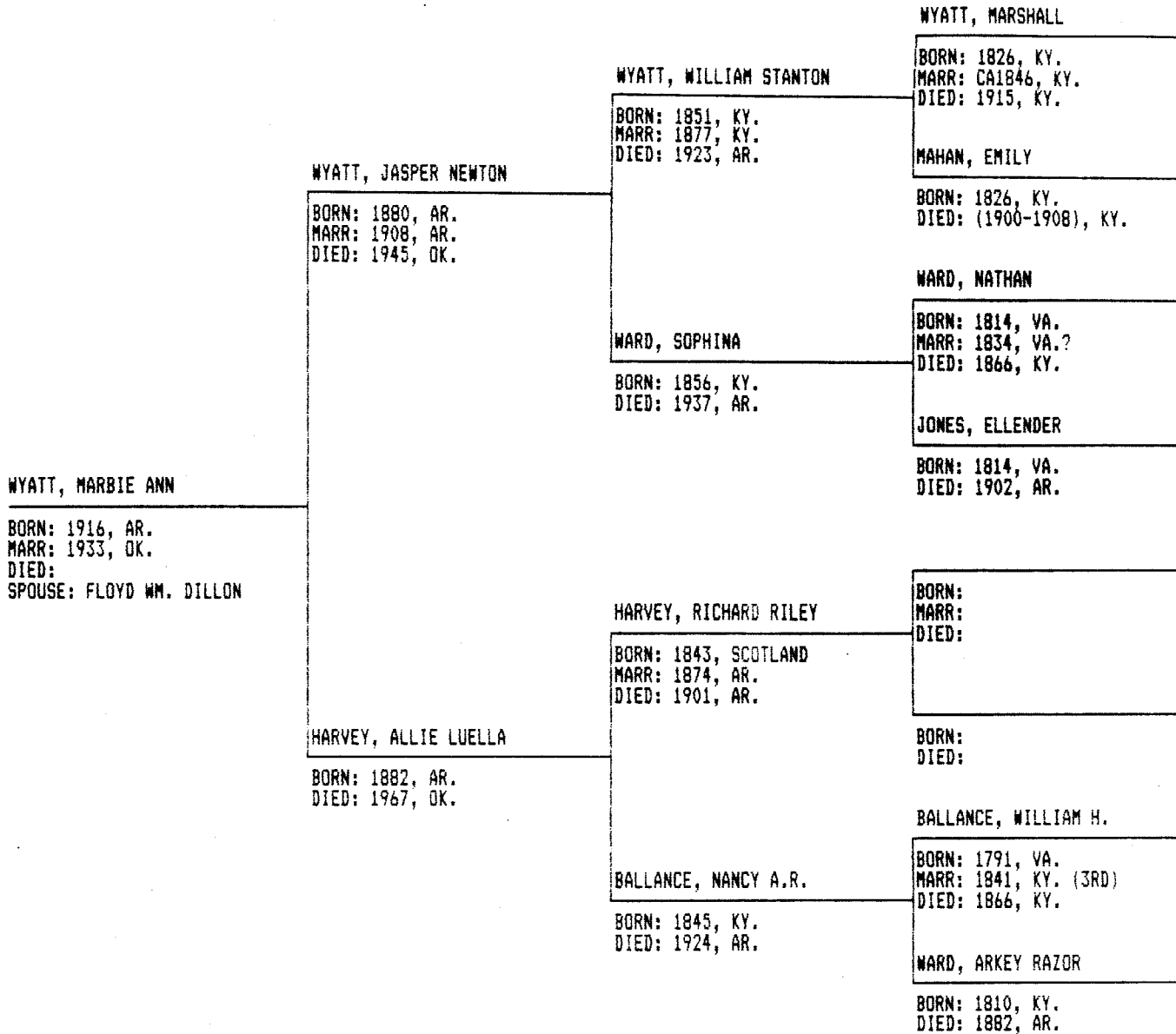
MAY 1993  
 JIMMIE D. BENSON  
 2608 WILLIAMS AVE.  
 MUSKOGEE, OK. 74401  
 918-682-6156



MAY 1993  
JIMMIE D. BENSON  
2608 WILLIAMS AVE.  
MUSKOGEE, OK. 74401  
918-682-6156

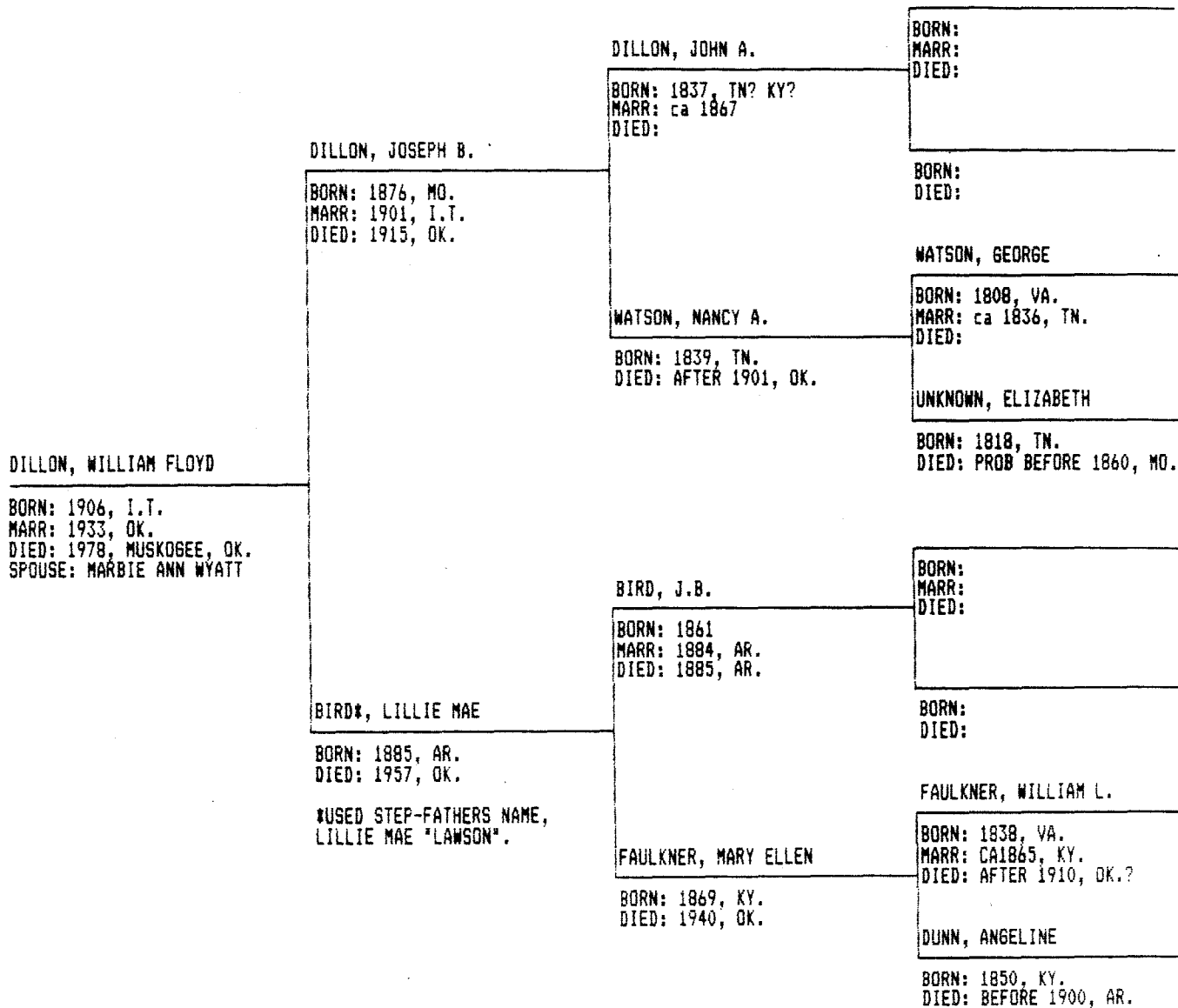


MAY 1993  
 LORETTA DILLON BENSON  
 2608 WILLIAMS AVE.  
 MUSKOGEE, OK. 74401  
 918-682-6156





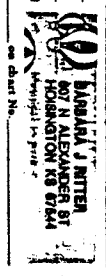
MAY1993  
LORETTA DILLON BENSON  
2608 WILLIAMS AVE.  
MUSKOGEE, OK. 74401  
918-682-6156



Date Recopied 2 Feb. 1981

ANCESTOR CHART NO. \_\_\_\_\_

Name of compiler Barbara Drake Ritter  
Address \_\_\_\_\_  
City \_\_\_\_\_  
Person No. 1 on chart No. \_\_\_\_\_



Date of Birth \_\_\_\_\_  
Place of Birth \_\_\_\_\_  
Date of marriage \_\_\_\_\_  
Place of death \_\_\_\_\_  
Place of burial \_\_\_\_\_

1 CHARLES EUGENE DRAKE SR.  
b. 19 Jan Butler KS 1914  
p. Leon 1935  
p. 10 May, 1932  
p. 22 June, 1984  
p. Great Bend Barton KS

2 BARBARA JO DRAKE  
b. 13 April 1933  
p. Tulsa OK  
p. 30 Sept. 1951

3 m. Eugene Charles Ritter  
b. 22 Jan, 1928  
p. Tribune Greeley KS  
4 JUANITA LILLARD BAUGHMAN  
b. 25 Jan 1913  
p. Checotah McIntosh OK

5 EDWARD EASTMAN DRAKE  
b. 25 Feb 1886  
p. Princeton Gibson IN  
p. 24 June, 1909  
p. 24 April, 1944  
p. Tulsa OK

6 GERTRUDE ELIZABETH BAIRD  
b. 19 Oct. 1893  
p. Winfield Cowley KS  
p. 9 Jan. 1989  
p. Grand Junction Mesa CO

7 EZRA LYTLE BAUGHMAN  
b. 27 Feb 1889  
p. Harrison Boone AK  
p. ca. 1911/12  
p. June 1951  
p. Napa CA

8 WILLIE GEORGIA (BENSON)  
CHAIRMAN  
b. ca. 20 Sept. 1882  
p. Columbus Lowndes MISS  
p. 11 Oct. 1971  
p. San Pablo Contra Costa CA

9 JAMES ALBERT DRAKE  
b. 27 Jan 1861  
p. Linden Mont. IN  
p. 6 March 1882  
p. 15 April, 1943  
p. Topeka Shawnee KS

10 ORA BELLE MCNEELY  
b. 6 March 1867  
p. Hosmer Pike IN  
p. 5 Dec. 1912  
p. Davenport Scott Iowa

11 JOHN BELL BAIRD  
b. 13 Nov. 1860  
p. P. River Typ. Lawrence MO  
p. 24 Dec. 1897  
p. 24 April, 1924  
p. Neodesha Wilson KS  
12 JANE ARTEMUS WALLIS  
b. 18 April 1861

13 ISSAC NICHOLAS BAUGHMAN  
b. 19 Oct. 1854  
p. Old Carroll Co. ARK  
p. ca. 1874  
p. 17 April, 1895  
p. Checotah McIntosh OK  
14 PARADINE RIDGNER-RIDGNER  
p. Harrison Boone ARK

15 WILLIAM BENSON  
b. 20 Sept. 1881 ?  
p. ca 1884 ?  
p. MS  
p. WIDOW BROWN ??  
p. ca 1882 ?

16 WILLIAM F. DRAKE  
b. ca 1829  
p. Warren Co. Ohio  
17 LAURA C. PARKER  
p. ca 1844

18 DAVID MCNEELY  
b. 10 March 1833  
p. Spencer Co. IN  
19 NANCY MARIA PHILLIPS  
b. ca. 1844

20 JOSHUA M. BAIRD  
b. ca. 1844  
21 JANE MOORE  
b. ca. 1844  
22 WILLIAM JASPER WALLIS  
b. ca. 1844

23 ELIZA KIMBELL  
b. 16 Jan 1832  
24 LEWIS LAFAYETTE BAUGHMAN  
b. 18 Aug 1838  
25 GEORGE W. RIDGNER  
b. 18 Aug 1838  
26 SARAH KENNELLY

27 \_\_\_\_\_  
28 \_\_\_\_\_  
29 \_\_\_\_\_  
30 \_\_\_\_\_  
31 \_\_\_\_\_

Refer to name and number

# PEDIGREE CHART

11 Louise Lela Corbell Benton  
 Rt. 2 Box 14650 Porum, Okla. 74455  
 Parents: John Cephas Corbell-Jessie Alma Webb

No. 4 child  
 Pamela Dianne Benton  
 B. 12, 17, 1956 Amarillo, Texas  
 M. 11, 28, 1976 Porum, Okla.  
 Bruce Wayne Murphy Sr.  
 b. 1, 14, 1974 Pecos, Texas  
 Parents: James Murphy-Emmalou McGinnis

1. Bruce Wayne Murphy Jr.  
 b. 2, 7, 1978 Muskogee, Ok. Hos. Itd  
 2. Gregory Beau Murphy  
 b. 10, 21, 1982 Muskogee, Okla.  
 Hos Ital  
 No. 3 child  
 Lela Beth Benton Kennedy

b. Apr. 15, 1955 Amarillo, Texas  
 M. Oct. 6, 1973 Hoyt, Okla.  
 Ivan Lee Kennedy b. 3, 7, 1955  
 Parents: Doyal Lee Kenned and  
 Frances Juanita Nixon

1. Christy Dianne Kennedy 9, 19, 1974  
 2. Lela Denise Kennedy 1, 17, 1977  
 3. Marshall Lee Kennedy 8, 26, 1977

2 Walter Erven Benton  
 BORN A r. 28, 1919  
 WHEN MARRIED Ft Gibson, Oklahoma  
 WHEN MARRIED Oct. 30, 1944  
 DIED Sand Springs, Ok.

1. Children  
 1. Walter Erven Benton  
 b.-d. 2, 22, 1945 Fields  
 Cemetery Porum, Okla.  
 2. Janice Kay b-d 11, 11, 1953  
 Fields Cem. Porum, Okla.

3. Lela Beth Benton  
 4. Pamela Dianne Benton

3 Eliouise Lela Corbell  
 BORN 2, 2, 1926 Porum, Ok.  
 WHEN MARRIED Muskogee county  
 DIED

Alford L. Benton

4  
 BORN 4, 6, 1880 Harrison, Ark.  
 WHEN MARRIED Boon County  
 DIED 9, 30, 1906 Avalon, Ark.  
 WHEN MARRIED Ft. Eliza, Ark.  
 DIED 9, 1948 Fields Cemetery  
 Porum, Ok. Muskogee County

5  
 Elizabeth Jane Tittle  
 BORN 1, 18, 1889 McMinnville, Tenn.  
 WHEN MARRIED McMinnville County  
 DIED 9, 1970 Fields Cemetery  
 Porum, Ok. Muskogee Co.

6  
 John Cephas Corbell  
 BORN 13, 1904  
 WHEN MARRIED Starvillia, Indian Terr.  
 WHEN MARRIED May 13, 1925 Stigler, Ok.  
 DIED 3, 1970 Fields Cemetery  
 Porum, Ok. Muskogee County

children  
 1. Eliouise Lela 2, 2, 1926  
 2. Winnie Lucille 4, 13, 1927  
 3. Johnnie Parrrell 9, 18, 1931  
 4. Norma Jo 1, 19, 34  
 5. Bobby Rayborn 12, 21, 1933  
 6. John Clayton 10, 29, 1943

7  
 Wife Jessie Alma Webb 7, 7, 1904  
 WHEN MARRIED Porum, Ok. Muskogee Co.  
 DIED  
 WHERE Vesta, Ark. Franklin Co.

8 Eliqaha Mack Benton

BORN Oct. 1, 1859  
 WHEN MARRIED Crowford Co. MO.  
 DIED 1, 2, 1932 Porum, Ok.  
 WHEN MARRIED Ft. Eliza, Ark. Glover  
 BORN 11, 9, 1857 Boon Co. Ark.  
 WHEN MARRIED  
 DIED 7, 1931 Fields Cem.  
 Porum, Okla.  
 Muskogee Co.

10  
 Eliza Tittle  
 BORN 1865  
 WHEN MARRIED Warren Co. Tenn.  
 WHEN MARRIED before 1887  
 DIED 18, 1916 Ft Gibson, Ok.  
 WHEN MARRIED Hannah Whitworth

12 Joseph Hodge Corbell  
 BORN 8, 23, 1871  
 WHEN MARRIED Logan Co. Ark.  
 WHEN MARRIED 8, 13, 1899  
 DIED Starvillia, I.T.  
 WHEN MARRIED 8, 16, 1963 Fields Cem.  
 Winnie Jane Barnes

21  
 Caroline Pryor 13, 1861 Ill. Wm. H  
 d. 12, 18, 1899  
 Starvillia, I.T. Fields Cem. Mary  
 Franklin Marlon Webb  
 1835 White Co. Ark. Cutbert  
 1894 Saline, Ark.  
 Mary Amanda Moss 1836 Tenn.

29  
 1904 Vesta, Ark. CONTINUED ON CHART  
 Francis Marlon Harriott John  
 7, 4, 1845 Beechgrove, Ark. Marlyn  
 5, 31, 1910  
 Ark. Susie Scott 1851-1930 S.M. R. Co

16 Eliqaha Benton?

17 NANCIE  
 CONTINUED ON CHART  
 GLOVER  
 CONTINUED ON CHART

20 Eliza Tittle  
 CONTINUED ON CHART

21  
 CONTINUED ON CHART

22  
 CONTINUED ON CHART

23  
 CONTINUED ON CHART

24 Henry Hodge Corbell  
 2, 26, 1835 Franklinton, Ark.  
 3, 14, 1913 Fields Cem. Porum, Ark.  
 M. 9, 3, 1865 Sevier Co. Ark.  
 E. Jane Musgrave  
 Apr. 1843 Tipton Co. Miss. Anderson  
 4-1926 Fields Cem.  
 Samuel Wm. Barnes Jan 1854 Ark.  
 1901 Fields Cem. Starvillia, I.T.

**Ancestor Chart**

Name of Compiler Patricia H. Renta  
 Address 205 Raymond Drive  
 City, State Birmingham, AL 35209  
 Date December 29, 1983

Person No. 1 on this chart is the same person as No. \_\_\_\_\_ on chart No. \_\_\_\_\_

Chart No. 1  
 Stephen J. Harris

b. Date of Birth  
 p.b. Place of Birth  
 m. Date of Marriage  
 d. Date of Death  
 p.d. Place of Death

4 Chalmer Lee Harris

b. 11 Nov 1892 (Father of No. 3)  
 p.b. Oklahoma Territory  
 m. 23 Dec 1911 Jefferson Co., AL.  
 d. 21 Dec 1966  
 p.d. Caraway Methodist Hospital  
 Cemetery, Gardendale, AL

2 Chalmer Luman Harris

b. January 17, 1915 (Father of No. 4)  
 p.b. Gardendale, AL  
 m. February 15, 1936  
 d.  
 p.d.

5 Lula Jane Taylor

b. December 9, 1887 (Mother of No. 5)  
 p.b. Hartselle, AL.  
 d. July 10, 1962  
 p.d. Birmingham, AL.  
 B: Moncrief Cem.

1 Patricia Louise Harris Renta

b. February 8, 1937  
 p.b. Birmingham, AL.  
 m. February 13, 1954 - Birmingham  
 d.  
 p.d.

6 William Oscar Reynolds

b. April 1, 1890 (Father of No. 6)  
 p.b. Tenn.  
 m. December 6, 1913  
 d. October 28, 1931  
 p.d. Birmingham, AL-McElwane Cem.

3 Margaret Virginia Reynolds

b. October 6, 1914 (Mother of No. 3)  
 p.b. Birmingham, AL.  
 d.  
 p.d.

7 Johnnie M. Sandlen

b. July 29, 1889 (Mother of No. 7)  
 p.b. Taylor, Miss.  
 d. February 26, 1974  
 p.d. Birmingham, AL.  
 Buried: McElwane Cem.

8 George Harris

b. 1870: (Father of No. 8)  
 p.b. Coosa Co. AL  
 m. 10 Sep 1890  
 d. circa 1893  
 p.d. unknown OK?  
 Ara Lucille Beasley (Mother of No. 9)

10 William Snathnal Taylor

b. September 27, 1864 (Father of No. 10)  
 p.b. Ohio  
 m.  
 d. June 17, 1921  
 p.d. Birmingham, AL.

11 Millie Ann Riggs Morgan

b. 1854 (Mother of No. 11)  
 p.b. Hartselle, AL.  
 d. November 20, 1935  
 p.d. Gardendale, AL.  
 B: Moncrief Cem.

12 William Pinkney Reynolds

b. February 13, 1870 (Father of No. 12)  
 p.b. Springville, Tenn.  
 m.  
 d. August 13, 1921  
 p.d. Nolensville, Tenn.

13 Sarah Ann Elizabeth Cartwright

b. August 7, 1865 (Mother of No. 13)  
 p.b. Tenn.  
 d. April 19, 1913  
 p.d. Birmingham, AL.  
 B: McElwane Cem.

14 Oscar Napoleon Bonaparte

b. February 11, 1838 (Father of No. 14)  
 p.b. Cherokee Alabama  
 m. 1881 or 1882  
 d. May 1, 1894  
 p.d. Oxford, Miss.

15 Sarah Frances Harris

b. July 9, 1859 (Mother of No. 15)  
 p.b. Georgia  
 d. June 2, 1932  
 p.d. Birmingham, AL. McElwane

16 Stephan J. Harris  
 b. 1849 (Father of No. 16)  
 m. 27 Nov 1865 Coosa Co. AL  
 d. Oklahoma.

17 Elizabeth Moore  
 b. 1848 AL (Father of No. 17)  
 d. Oklahoma

18 David Beasley, Jr.  
 b. May 6, 1800 or 1805 (Father of No. 18)  
 m. March 11, 1865  
 d. December 22, 1900.

19 Elizabeth Sewall Phillips  
 b. Dec. 24, 1836 (Father of No. 19)  
 d. 1902

20 William Taylor  
 b. (Father of No. 20)  
 m.  
 d.

21 (Father of No. 21)  
 m.  
 d.

22 Greenberry Riggs  
 b. Sept. 11, 1818 (Father of No. 22)  
 m. Sept. 10, 1853  
 d. May 21, 1910

23 Easter Lott  
 b. 1825 (Father of No. 23)  
 d.

24 William James Reynolds  
 b. Feb. 9, 1846 (Father of No. 24)  
 m.  
 d.

25 Mary Elizabeth Brown  
 b. Dec. 25, 1845 (Father of No. 25)  
 d.

26 William Thomas Cartwright  
 b. Mar. 2, 1842 (Father of No. 26)  
 d. Lincoln Cty. Tenn.

27 Fannie Catherine Hill  
 b. (Father of No. 27)  
 d.

28 William N. Sandlen  
 b. 1809 (Father of No. 28)  
 m.  
 d.

29 Mary A.  
 b. 1808 (Father of No. 29)  
 d.

30 Elam HARRIS  
 b. Aug. 31, 1835 (Father of No. 30)  
 m. July 27, 1856  
 d. Jan. 14, 1874

31 Elizabeth Catherine Buffing  
 b. Mar. 29, 1883 (Father of No. 31)  
 d. 1920

From AL. Copyright 1983 by The Heritage Foundation, Inc., P.O. Box 306, Lept...  
 data, published by THE HERITAGE FOUNDATION, Inc. for a free catalogue  
 with lists and full descriptions of many genealogical aids.

## NEW TITLES

in the  
Grant Foreman Room

- Genealogical & Local History Books in Print, v. 5. Gift of the Muskogee County Genealogical Society.
- History and Genealogy of the Jewetts of America, by Frederic Clarke Jewett, MD. 2 vols. Gift of the Muskogee County Genealogical Society.
- Some Watkins Families of Virginia and their Kin, by John Hale Statesman, 1989. Gift of the Muskogee County Genealogical Society.
- Sequoyah County Oklahoma Cemetery Record, by the Muldrow Genealogical Society. 9 vols. Gift of the authors.
- Mexican War Index to Pension Files, 1886 - 1926, v. 10, by Navena H. Troxel and Susan M. Warner, 1992. Gift of Vee Troxel.
- Oklahoma 1860 Census Index, by Ronald Vern Jackson, 1984. Gift of the Muskogee County Genealogical Society.
- Early Records of Montague County, Texas 1858 - 1879, by Navena H. Troxel, 1984. Gift of the author.
- Montague County, Texas Marriage Books B & C 1879 - 1888, by Navena H. Troxel. Gift of the author.
- Montague County, Texas Marriage Book D 1888 - 1892, by Navena H. Troxel. Gift of the author.
- Montague County, Texas Marriage Book E 1892 - 1895, by Navena H. Troxel. Gift of the author.
- Montague County, Texas Marriage Book F 1895 - 1899, by Navena H. Troxel. Gift of the author.
- The Georgia Black Book, by Robert Scott Davis, Jr. Gift of Betty Bradshaw.

## NEW MICROFORMS

### FILM

- 1850 Tennessee Census, Blount & Bradley Cos. Gift of Mickey Hagan.
- 1910 Texas Census, McLennan (part) Co. Gift of Cleo & Wilma Shamblin.
- 1820 Georgia Census, Appling, Baldwin, Emanuel, Habersham, Hall, Irwin, & Jasper Cos. Gift of Wally Waits "In Honor of Mickey Hagan, past Pres., MCGS."
- 1820 Georgia Census, Burke, Camden, Chatham, Clarke, Elbert, Greene, Gwinnett, Jackson & Liberty Cos. Gift of Wally Waits "In Honor of Cleo Shamblin, Pres., MCGS."

### FICHE

- Five Civilized Tribes In Oklahoma. Report of W. C. Pollock, Senate Document #1139. (7 fiche).